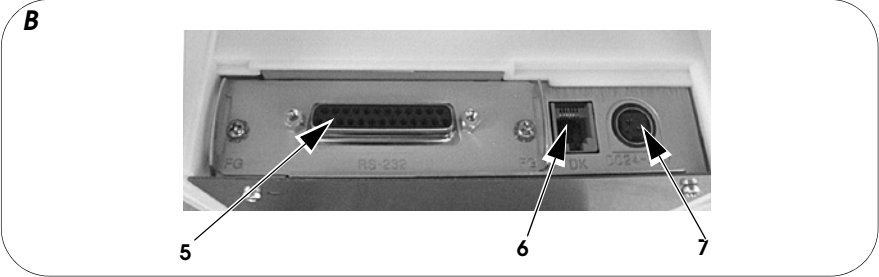
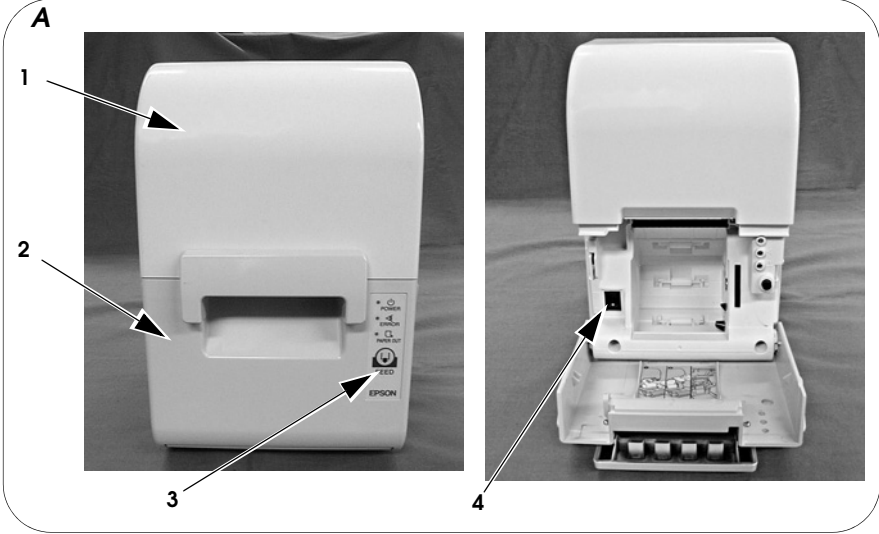


# TM-U230

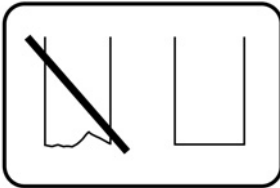
**User's Manual / Bedienungsanleitung  
Gebruikershandleiding / Manuel d'utilisation  
Manual do utilizador / Manual do usuario  
Manuale dell'utente**



**D**



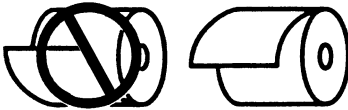
**E**



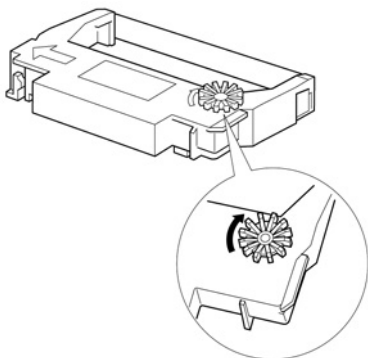
**F**



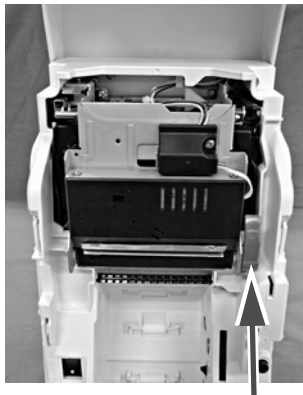
**G**



**H**



**I**



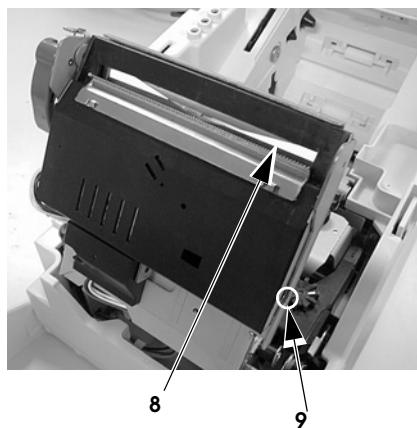
**J**



**K**



**L**





<b>Paper thickness</b>	0.06 ~ 0.085 mm {0.0024 ~ 0.0033"}
<b>Inked ribbon</b>	ERC-38 (Black, Black/Red)
<b>Ribbon life</b>	Black: 3,000,000 characters, B/R: 1,500,000 characters (Black), 750,000 characters (Red)
<b>Interface (compatible)</b>	RS-232 / Bi-directional parallel / 10 Base T1/F Dealer option: USB
<b>Data buffer</b>	1 KB/16 KB
<b>D.K.D. function</b>	2 drives
<b>Power supply<sup>*1</sup></b>	DC +24 ~ +34 V
<b>Current consumption</b>	Operating: 38 W avg. Standby: 3 W avg.
<b>Temperature</b>	Operating: 0 to 50 °C {32 to 122 °F} Storage: -10 to 50 °C {14 to 122 °F}
<b>Humidity</b>	10 to 90% without condensation
<b>Reliability</b>	MTBF: 180,000 hours, MCBF: 18,000,000 lines
<b>Overall dimensions</b>	259.5 × 166 × 168 mm {10.21 × 6.54 × 6.61"} (H × W × D)
<b>Weight (mass)</b>	Approximately 2.8 kg {6.2 lb}

lps: lines per second, cpi: characters per 25.4 mm (characters per inch)  
Inch values are approximate.

\*1: Be sure to use a safety-standards-applied power source that meets the following specifications. Rated output: 24 V/2.0 A or more, Maximum output: 240 VA or less

## Standards and Approvals

The following standards are applied only to the printers that are so labeled. (EMC is tested using the Epson power supplies.)

Europe: CE marking  
North America: FCC/ICES-003 Class A  
Oceania: AS/NZS CISPR22 Class A

### WARNING

This is a Class A product. In a domestic environment this product may cause radio interference in which case the user may be required to take adequate measures.

The connection of a non-shielded printer interface cable to this printer will invalidate the EMC standards of this device.

You are cautioned that changes or modifications not expressly approved by Seiko Epson Corporation could void your authority to operate the equipment.

### CE Marking

The printer conforms to the following Directives and Norms:

Directive 2004/108/EC EN 55022 Class A  
EN 55024  
IEC 61000-4-2 IEC 61000-4-5  
IEC 61000-4-3 IEC 61000-4-6  
IEC 61000-4-4 IEC 61000-4-11

### FCC Compliance Statement For American Users

This equipment has been tested and found to comply with the limits for a Class A digital device, pursuant to Part 15 of the FCC Rules. These limits are designed to provide reasonable protection against harmful interference when the equipment is operated in a commercial environment.

This equipment generates, uses, and can radiate radio frequency energy and, if not installed and used in accordance with the instruction manual, may cause harmful interference to radio communications.

Operation of this equipment in a residential area is likely to cause harmful interference, in which case the user will be required to correct the interference at his own expense.

### For Canadian Users

This Class A digital apparatus complies with Canadian ICES-003.

# TM-U230

## User's Manual

### DIP Switches and Specifications

The technical specifications and the information about the DIP switches are at the beginning of this manual.

### Illustrations

All of the illustrations are at the beginning of this manual. They are identified by letters (A, B, C . . .). In the text the illustrations are referred to by these letters. ("See illustration **A**," for example.) Some of these illustrations have numbered arrows or lines pointing to parts of the illustration. See the list below for the meaning of the numbers.

<b>Illustration A</b>	<b>Illustration B</b>	<b>Illustration L</b>
<b>1.</b> Roll paper cover	<b>5.</b> Interface	<b>8.</b> Cutter blade
<b>2.</b> Ribbon cassette cover	<b>6.</b> Drawer kick-out connector	<b>9.</b> Hole
<b>3.</b> Control panel	<b>7.</b> Power supply	
<b>4.</b> Power supply switch		

All rights reserved. No part of this publication may be reproduced, stored in a retrieval system, or transmitted in any form or by any means, electronic, mechanical, photocopying, recording, or otherwise, without the prior written permission of Seiko Epson Corporation. No patent liability is assumed with respect to the use of the information contained herein. While every precaution has been taken in the preparation of this book, Seiko Epson Corporation assumes no responsibility for errors or omissions. Neither is any liability assumed for damages resulting from the use of the information contained herein.

Neither Seiko Epson Corporation nor its affiliates shall be liable to the purchaser of this product or third parties for damages, losses, costs, or expenses incurred by purchaser or third parties as a result of: accident, misuse, or abuse of this product or unauthorized modifications, repairs, or alterations to this product, or (excluding the U.S.) failure to strictly comply with Seiko Epson Corporation's operating and maintenance instructions.

Seiko Epson Corporation shall not be liable against any damages or problems arising from the use of any options or any consumable products other than those designated as Original Epson Products or Epson Approved Products by Seiko Epson Corporation.

EPSON is a registered trademark of Seiko Epson Corporation in Japan and other countries/regions.

**NOTICE:** The contents of this manual are subject to change without notice.  
Copyright © 2003 by Seiko Epson Corporation, Nagano, Japan.

---

## Important Safety Information

This section presents important information intended to ensure safe and effective use of this product. Read this section carefully and store it in an accessible location.

### Key to Symbols

The symbols in this manual are identified by their level of importance, as defined below. Read the following carefully before handling the product.



#### **WARNING:**

*Warnings must be followed carefully to avoid serious bodily injury.*



#### **CAUTION:**

*Cautions must be observed to avoid minor injury to yourself or damage to your equipment.*

### Safety Precautions



#### **WARNING:**

*Shut down your equipment immediately if it produces smoke, a strange odor, or unusual noise. Continued use may lead to fire. Immediately unplug the equipment and contact your dealer or a Seiko Epson service center for advice.*

*Never attempt to repair this product yourself. Improper repair work can be dangerous.*

*Never disassemble or modify this product. Tampering with this product may result in injury or fire.*

*Be sure to use the specified power source. Connection to an improper power source may cause fire.*

*Do not allow foreign matter to fall into the equipment. Penetration by foreign objects may lead to fire.*

*If water or other liquid spills into this equipment, unplug the power cord immediately and then contact your dealer or a Seiko Epson service center for advice. Continued usage may lead to fire.*

*Do not use aerosol sprayers containing flammable gas inside or around this product. Doing so may cause fire.*



#### **CAUTION:**

*Do not connect cables in ways other than those mentioned in this manual. Different connections may cause equipment damage and burning.*



Be sure to set this equipment on a firm, stable, horizontal surface.  
Product may break or cause injury if it falls.

Do not use in locations subject to high humidity or dust levels. Excessive humidity and dust may cause equipment damage or fire.

Do not place heavy objects on top of this product. Never stand or lean on this product. Equipment may fall or collapse, causing breakage and possible injury.

To ensure safety, unplug this product before leaving it unused for an extended period.

---

## Caution Labels

The caution labels on the product indicate the following precautions.



### **WARNING:**

Do not connect a telephone line to the drawer kick-out connector; otherwise the printer and the telephone line may be damaged.



### **CAUTION:**

Print head is hot.



### **CAUTION:**

Take care not to injure your fingers on the manual cutter

- When you remove printed paper
- When you perform other operations such as loading/replacing roll paper

---

## Restriction of Use

When this product is used for applications requiring high reliability/safety, such as transportation devices related to aviation, rail, marine, automotive, etc.; disaster prevention devices; various safety devices, etc.; or functional/precision devices, etc.; you should use this product only after giving consideration to including fail-safes and redundancies into your design to maintain safety and total system reliability. Because this product was not intended for use in applications requiring extremely high reliability/safety, such as aerospace equipment, main communication equipment, nuclear power control equipment, or medical equipment related to direct medical care, etc., please make your own judgment on this product's suitability after a full evaluation.

---

## Purpose of This Manual

This manual provides information to operators of the TM-U230 to describe basic operations to enable safe and correct use of the printer.

---

## Notes for Cleaning the Printer

The following instructions apply only to printers with the fine coating.

A fine coating is used for the external surface of the plastic case of the printer, which makes wiping and removing kitchen stains easy; however, you should note the following when cleaning the surface in order to preserve the quality of the coating (the metal plate and the inside of the case do not have the fine coating):

- ❑ Do not scrub the surface with a hard object. Otherwise, the case will be scratched and harder to clean.
- ❑ Do not use a cleanser that includes polishing materials such as grains of glass, metal, or ceramics. Otherwise, the case will be scratched and harder to clean.
- ❑ Do not use disinfectant, bleach, alcohol, benzine, thinner, chlorine solvent, or ketone solvent. Otherwise, the case will be harder to clean, and the case may be seriously harmed or even deformed and its color may be changed.

---

## Part Names

See illustrations **A** through **L**.

---

## Downloading Drivers, Utilities, and Manuals

Drivers, utilities, and manuals can be downloaded from one of the following URLs.

For customers in North America, go to the following web site:

<http://www.epsonexpert.com/> and follow the on-screen instructions.

For customers in other countries, go to the following web site:

<http://www.epson-pos.com/>

---

## Unpacking

The following items are included for the standard specification printer. If any items are damaged, contact your dealer.

- ❑ Printer
- ❑ Ribbon cassette [ERC-38 (B/R)]
- ❑ Roll paper
- ❑ Switch panel label used for horizontal installation
- ❑ AC adapter [PS-180] (\*)
- ❑ Power supply box (case and lid) (\*)
- ❑ Shorter screws for attaching the lid to the power supply box (2) (\*)
- ❑ Longer screws for attaching the power supply box to the printer (2) (\*)
- ❑ Usage Precautions for the PS-180 Power Unit (\*)

(\*) *May not be included with the printer.*

---

## Selecting the Place

With its three installation positions, the printer is designed to fit every kitchen. You can install the printer vertically (with the paper exit at the front) either on a flat surface or by hanging it on a wall (using the optional hanging bracket set, WH-10). You can also install it horizontally (with the paper exit on top).

---

## Vertical Installation

You can install the printer vertically or hang it on the wall. Illustration **C** shows the printer installed vertically, both with and without the power supply box attached.

**Note:**

To hang the printer on the wall, see the *Wall Hanging Bracket Set Installation Manual* provided with the WH-10 for instructions.

---

## Horizontal Installation

You can install the printer horizontally. Illustration **D** shows the printer with the power supply box attached.

---

## Important notes on integrating the PS-180 AC adapter into the printer

When integrating the PS-180 AC adapter into the power supply box of the printer unit, be sure to read the information on the label of the AC adapter (rating, Warning/Cautions) thoroughly and understand it well before you integrate the AC adapter into the printer unit.

---

## Control Panel

### POWER LED

Lights when the power is on, and is off when the power is off.

### ERROR LED

Off when the printer is online, lights when the printer is offline, and flashes when an error occurs.

### PAPER OUT LED

Lights when roll paper is nearly out.

### FEED button

Feeds the roll paper.

---

## Installing the Roll Paper



### CAUTION:

Be sure not to touch the manual cutter. Otherwise your fingers might be injured.

**Note:**

Be sure to use roll paper that meets the specifications.

1. Using scissors, cut the leading edge of the roll paper, as shown in illustration **E**.
2. Open the roll paper cover; then turn on the printer.

3. Insert the roll paper; then hold both edges of the paper and insert it straight into the paper insert slot until the paper is fed automatically, as shown in illustration **F**.

**Note:**

*Note the direction the paper comes off the roll, as shown in Illustration **G**.*

4. When the paper feeding is finished, tear off the fed paper with the manual cutter.
5. Close the roll paper cover.
6. When the PAPER OUT LED flashes, press the FEED button to set the printer online.

---

**Note on the PAPER OUT LED**

When the paper has reached the end or near end, the PAPER OUT LED comes on. The buzzer will also sound if the printer has been set for the buzzer to sound for the end or near end of the paper. Opening the cover to replace paper or pressing the FEED button stops the buzzer sound.

---

**Installing the Ribbon****CAUTION:**

*Be sure not to touch the manual cutter. Otherwise your fingers might be injured.*

Use the EPSON ERC-38. The use of any ribbon cassettes other than those approved by Epson may damage the printer and will void the warranty.

1. Turn on the printer. Turn the knob on the ribbon cassette, as shown in illustration **H**.
2. Open the roll paper cover and cutter cover.
3. Lift the autocutter, using the tab, as shown in illustration **I**; then insert the new ribbon, as shown in illustration **J**.
4. Turn the knob 2 or 3 times again and check if the ribbon cassette is in the right position.

---

**Troubleshooting**

---

**ERROR LED on or flashing.**

---

- ❑ Check to see that the roll paper and cutter covers are closed, and check the PAPER OUT LED. Replace the paper when necessary.
- ❑ If the paper is jammed, remove the jammed paper, following the paper jam description below.
- ❑ Turn off the printer for a few seconds and then turn it back on. If the LED is still flashing, call your supervisor or a service person.

---

## Paper jam.

---



### **CAUTION:**

*Print head is hot.*

1. Turn off the printer, open the roll paper cover and cutter cover; then lift the autocutter, using the tab, as shown in illustration **I**.
2. Cut the paper off behind the paper insert slot and remove the roll paper from the printer.
3. Remove the jammed paper by pulling it in the paper feed direction. Always pull the paper in the paper feed direction to prevent damage to the printer mechanism.
4. If paper still remains in the printer, remove the ribbon cassette.
5. Loosen the screw securing the print head cover. Turn the screw only until you can tilt it as shown in illustration **K**.

**Note:**

*Do not remove the screw from the print head cover.*

6. Lift up the print head cover; then remove the jammed paper.
7. Replace the print head cover and secure it with the screw.
8. Replace the ribbon cassette and close the autocutter.

**Note:**

*Choose an installation place so that fed paper does not accumulate. Otherwise a paper jam might occur.*

---

## The autocutter blade is not in its normal position.

---

If you can see the blade in the autocutter slit, the blade is not in the normal position. This might be caused by a paper jam.

- ❑ Insert a screwdriver to the right side of the autocutter and turn the gear inside to move the blade to the normal position. See illustration **L**.

# TM-U230

## Bedienungsanleitung

### DIP-Schalter und Technische Angaben

Die technische Spezifikation und Angaben zu den DIP-Schaltern befinden sich am Anfang dieses Handbuchs.

### Abbildungen

Alle Abbildungen befinden sich am Anfang dieses Handbuchs und sind mit den Buchstaben (A, B, C ...) gekennzeichnet. Im Text wird auf die Abbildungen anhand dieser Buchstaben Bezug genommen (z.B. "Siehe Abbildung A."). Einige dieser Abbildungen haben nummerierte Pfeile bzw. Linien, die auf einen Teil der Abbildung zeigen. Die Bedeutung der Nummern ist unten aufgeführt.

#### Abbildung A

1. Abdeckung der Schneidevorrichtung
2. Papierrollenabdeckung
3. Bedienfeld
4. Netzschalter

#### Abbildung B

5. Schnittstelle
6. Kassenschublade
7. Netzteil

#### Abbildung L

8. Messer
9. Loch

Alle Rechte vorbehalten. Diese Veröffentlichung darf ohne ausdrückliche schriftliche Genehmigung der Seiko Epson Corporation nicht reproduziert, in einem Abrufsystem gespeichert oder in beliebiger Form und auf jedwede Weise übermittelt werden, weder durch Fotokopieren, Aufzeichnen, noch auf elektronische, mechanische oder sonstige Weise. Für die hierin enthaltenen Informationen wird keine Patenthaftung übernommen. Obgleich bei der Zusammenstellung dieser Anleitung mit Sorgfalt vorgegangen wurde, übernimmt die Seiko Epson Corporation keine Verantwortung für Fehler und Auslassungen. Zudem wird keine Haftung übernommen für Schäden, die aus der Verwendung der hierin enthaltenen Informationen entstehen.

Weder die Seiko Epson Corporation noch ihre Tochtergesellschaften sind dem Käufer dieses Produkts oder Drittparteien gegenüber für Schäden, Verluste, Kosten oder Ausgaben haftbar, die für den Käufer oder etwaige Drittparteien aufgrund von Unfall, Mißbrauch oder Zweckentfremdung dieses Produkts, nicht autorisierten Modifikationen, Reparaturen oder Produktumbauten sowie (mit Ausnahme USA) aufgrund des Versäumnisses anfallen, die Bedienungs- und Wartungsanleitungen der Seiko Epson Corporation genau einzuhalten.

Die Seiko Epson Corporation ist nicht haftbar für Schäden oder Probleme, die bei Verwendung von Optionen oder Verschleißteilen auftreten, die nicht als Original-Epson-Produkte oder von der Seiko Epson Corporation zugelassene Epson Produkte gelten.

EPSON ist ein eingetragenes Warenzeichen der Seiko Epson Corporation in Japan und anderen Ländern/Gebieten.

**HINWEIS:** Änderungen am Inhalt dieser Anleitung ohne Vorankündigung vorbehalten.

Copyright © 2000 Seiko Epson Corporation, Nagano, Japan.

### WARNUNG

Dies ist ein Gerät der Klasse A. In Wohnbereichen kann dieses Produkt Rundfunkstörungen verursachen; in diesem Fall muss der Benutzer geeignete Abhilfemaßnahmen treffen.

---

## Wichtige Sicherheitsinformationen

Dieser Abschnitt enthält wichtige Informationen für die sichere und effektive Nutzung dieses Produkts. Lesen Sie diesen Abschnitt sorgfältig durch und bewahren Sie ihn leicht zugänglich auf.

### Symbolschlüssel

Die Symbole in dieser Anleitung sind je nach Wichtigkeit wie unten angegeben gekennzeichnet. Lesen Sie die folgenden Anweisungen vor Handhabung des Produkts bitte sorgfältig durch.



#### **WARNUNG:**

*Warnungen müssen zur Vermeidung von möglicherweise schweren Körperverletzungen genau beachtet werden.*



#### **VORSICHT:**

*Vorsichtshinweise müssen zur Vermeidung leichter Körperverletzungen und Beschädigungen des Geräts beachtet werden.*

### Sicherheitshinweise



#### **WARNUNG:**

*Schalten Sie das Gerät sofort aus, wenn Sie Rauch bzw. ungewöhnliche Gerüche oder Geräusche bemerken. Wenn das Gerät weiter verwendet werden, kann dies zu einem Brand führen. Ziehen Sie den Netzstecker des Gerätes sofort aus der Netzsteckdose und benachrichtigen Sie Ihren Händler oder ein Seiko Epson Service Center.*

*Versuchen Sie niemals, dieses Produkt eigenständig zu reparieren. Unsachgemäße Reparaturarbeiten können gefährlich sein.*

*Zerlegen oder modifizieren Sie dieses Produkt nicht. Unsachgemäße Arbeiten an diesem Produkt können zu Verletzungen oder einem Brand führen.*

*Stellen Sie sicher, dass Sie die für dieses Produkt geeignete Stromquelle verwenden. Anschluss an andere Stromquellen können zu einem Brand führen.*

*Vermeiden Sie das Eindringen von Fremdoobjekten in dieses Produkt. Das Eindringen von Fremdoobjekten kann zu einem Brand führen.*

*Wenn Wasser oder andere Flüssigkeiten in dieses Produkt eindringen, ziehen Sie sofort den Netzstecker heraus und benachrichtigen Sie einen Fachhändler oder Ihr Seiko Epson Service Center. Wenn das Gerät weiter verwendet wird, kann dies einen Brand verursachen.*

Verwenden Sie keine brennbaren Sprühmittel in und in der Nähe des Gerätes. Brandgefahr!

 **VORSICHT:**

Schließen Sie Kabel nur auf die in diesem Handbuch beschriebene Weise an. Andere Kabelverbindungen können das Gerät beschädigen und einen Brand verursachen.

Stellen Sie dieses Gerät unbedingt auf einer festen, stabilen, horizontalen Fläche auf. Das Produkt kann beim Fallen beschädigt werden oder Verletzungen verursachen.

Verwenden Sie das Gerät nicht an Orten mit hohem Feuchtigkeits- oder Staubgehalt. Eine übermäßige Feuchtigkeits- oder Staubbildung kann das Gerät beschädigen oder einen Brand verursachen.

Stellen Sie keine schweren Gegenstände auf dieses Produkt. Stellen Sie sich nie auf das Produkt und lehnen Sie sich nicht dagegen. Das Gerät kann fallen oder beschädigt werden und dabei Gegenstände beschädigen oder Personen verletzen.

Aus Sicherheitsgründen ziehen Sie bitte den Netzstecker aus der Netzsteckdose wenn Sie beabsichtigen, das Gerät über einen längeren Zeitraum nicht zu verwenden.

---

## Vorsichtshinweise

Die Warnschilder auf dem Produkt weisen auf die folgenden Sicherheitshinweise hin:

 **WARNUNG:**

Schließen Sie keine Telefonleitung an den Anschluss der Kassenschublade an. Anderenfalls können Drucker und Telefonleitung beschädigt werden.

  **VORSICHT:**

Der Druckkopf ist heiß.

 **VORSICHT**

Handverletzungen durch die manuelle Schneidvorrichtung zuziehen:

- Beim Herausnehmen des bedruckten Dokuments
- Bei der Durchführung von anderen Arbeiten, wie zum Beispiel beim Einlegen/Herausnehmen der Papierrolle.



---

## **Verwendungshinweise**

Wenn dieses Produkt für Anwendungen verwendet wird, bei denen es auf hohe Zuverlässigkeit/Sicherheit ankommt, wie z.B. Transportvorrichtungen beim Flug-, Zug-, Schiffs- und Kfz-Verkehr usw.; Vorrichtungen zur Katastrophenverhinderung, verschiedene Sicherheitsvorrichtungen oder Funktions-/Präzisionsgerät usw., sollten Sie dieses Produkt erst verwenden, wenn Sie Fail-Safe-Vorrichtungen und Redundanzsysteme in Ihr Design mit einbezogen haben, um die Sicherheit und Zuverlässigkeit des gesamten Systems zu gewährleisten. Da dieses Produkt nicht für den Einsatz bei Anwendungen vorgesehen ist, bei denen es auf extrem hohe Zuverlässigkeit/Sicherheit ankommt, wie beispielsweise in der Raumfahrt, bei primären Kommunikationseinrichtungen, Kernenergiekontrollanlagen oder medizinischen Vorrichtungen für die direkte medizinische Pflege usw., überlegen Sie bitte nach umfassender Evaluierung genau, ob das Produkt für Ihre Zwecke geeignet ist.

---

## **Zweck dieser Betriebsanleitung**

Diese Anleitung soll den Bediener in den sicheren und korrekten Gebrauch des TM-U230 Druckers einführen.

---

## **Hinweise zur Reinigung des Druckers**

Die folgenden Anweisungen gelten nur für Drucker mit einer feinen Schutzbeschichtung.

Die Außenflächen des Kunststoffgehäuses des Druckers sind mit einer feinen Schutzbeschichtung versehen. Diese Beschichtung erleichtert das Reinigen und Abwischen des Geräts. Beachten Sie die folgenden Hinweise zur Reinigung der Flächen, um die Beschichtung zu schonen (die Metallplatte sowie die Innenflächen des Gehäuses sind nicht schutzbeschichtet):

- ❑ Scheuern Sie die Flächen nicht mit einem harten Gegenstand. Anderenfalls wird das Gehäuse zerkratzt, was die Reinigung erschwert.
- ❑ Verwenden Sie keine Pulver, die Scheuermaterialien wie Glas-, Metall- oder Keramikgranulat enthalten. Bei Verwendung dieser Materialien kann das Gehäuse zerkratzt werden, sodass es schwieriger zu reinigen ist.
- ❑ Verwenden Sie weder Desinfektionsmittel noch Bleiche, Alkohol, Benzol, Verdünnung, Chlorklösung oder Ketonlösung (Methyl-Ethylketon). Anderenfalls wird das Gehäuse schwerer zu reinigen oder kann sogar verformt werden. Darüber hinaus kann sich das Gehäuse verfärben.

---

## **Teilenamen**

Siehe Abbildungen A bis L.

---

## Herunterladen von Treibern, Dienstprogrammen und Handbüchern

Treiber, Dienstprogramme und Handbücher können von folgenden Webadressen heruntergeladen werden.

Für Kunden in Nordamerika: Besuchen Sie die Website <http://www.epsonexpert.com/> und befolgen Sie die auf dem Bildschirm angezeigten Anweisungen.

Kunden in anderen Ländern besuchen die Website <http://www.epson-pos.com/>

---

## Auspacken

Der Standarddrucker wird mit den folgenden Zubehörteilen geliefert. Sollten Teile beschädigt sein, benachrichtigen Sie bitte Ihren Fachhändler.

- Drucker
- Farbbandkassette [ERC-38 (Schwarz/Rot)]
- Papierrolle
- Bedienfeld-Aufkleber (für die horizontale Installation)
- Netzteil [PS-180] (\*)
- Netzteilgehäuse (Gehäuse und Abdeckung) (\*)
- Kürzere Schrauben zum Befestigen des Deckels am Netzteilkasten (2) (\*)
- Längere Schrauben zum Befestigen des Netzteilkastens am Drucker (2) (\*)
- Hinweise zur sicheren Verwendung des Netzteiltes PS-180 (\*)

(\*) *Nicht im Lieferumfang des Druckers enthalten.*

---

## Wahl eines Standorts

Der Drucker kann in drei Positionen installiert werden und ist somit für jede Küche geeignet. Sie können den Drucker vertikal installieren (wobei das Papier an der Vorderseite austritt), indem Sie ihn auf einer ebenen Oberfläche aufstellen oder mit Hilfe der optionalen Wandhalterung (WH-10) an einer Wand befestigen. Sie können ihn auch horizontal aufstellen, wobei das Papier an der Oberseite austritt.

---

## Vertikale Installation

Sie können den Drucker vertikal installieren oder ihn an einer Wand aufhängen. Abbildung C zeigt den vertikal installierten Drucker mit und ohne montiertem Netzteilgehäuse.

### **Hinweis:**

*Informationen über die Montage des Druckers an einer Wand finden Sie in den Anleitungen, die der Wandhalterung WH-10 beiliegen.*

---

## Horizontale Installation

Sie können den Drucker horizontal installieren. Abbildung D zeigt den Drucker mit montiertem Netzteilgehäuse.

---

## **Wichtige Hinweise zum Einbau des Netzteils PS-180 in den Drucker**

Beim Einbauen des Netzteils PS-180 in das Netzteilgehäuse des Druckers, lesen Sie die Informationen auf dem Netzteil-Etikett (Nennwerte, Warnungen/Vorsichtsmaßnahmen) aufmerksam durch und achten Sie darauf, dass Sie diese vor dem Einbau des Netzteils in den Drucker auch verstanden haben.

---

## **Bedienfeld**

### **Netz-LED (POWER LED)**

Leuchtet bei eingeschaltetem Strom, leuchtet nicht bei ausgeschaltetem Strom.

### **Fehleranzeige (ERROR LED)**

Aus, wenn der Drucker online ist; leuchtet, wenn der Drucker offline ist, und blinkt, wenn ein Fehler auftritt.

### **Papieranzeige (PAPER OUT LED)**

Leuchtet, wenn die Papierrolle fast zu Ende ist.

### **Papiervorschubtaste (FEED)**

Schiebt Papier von der Rolle nach.

---

## **Installation der Papierrolle**



### **VORSICHT:**

*Achten Sie darauf, dass Sie den manuellen Papierabschneider nicht berühren, um Verletzungsgefahr zu vermeiden.*

#### **Hinweis:**

*Verwenden Sie nur Papierrollen, die den technischen Daten entsprechen.*

1. Schneiden Sie die Vorderkante des Papiers mit einer Schere ab. Siehe Abbildung E.
2. Öffnen Sie die Papierrollenabdeckung und schalten Sie den Drucker ein.
3. Legen Sie eine Papierrolle ein. Halten Sie beide Seiten des Papiers fest, und führen Sie es gerade in den Papiereinzugsschlitz ein, bis es automatisch eingezogen wird. Siehe Abbildung F.

#### **Hinweis:**

*Achten Sie darauf, in welcher Richtung das Papier von der Rolle abgewickelt wird. Siehe Abbildung G.*

4. Reißen Sie das Papier nach erfolgtem Papiernachschub mit Hilfe des manuellen Papierabschneiders ab.
5. Schließen Sie die Papierrollenabdeckung.
6. Wenn die Kontrollleuchte „PAPER OUT“ blinkt, drücken Sie die Taste „FEED“, um den Drucker in den betriebsbereiten Zustand zu bringen.

---

## **Hinweis zur Kontrollleuchte PAPER OUT**

Wenn die Papierrolle fast oder ganz aufgebraucht ist, leuchtet die Anzeige „PAPER OUT“ auf. Wenn der Drucker entsprechend eingestellt wurde, ist zudem ein Signalton zu hören. Öffnen Sie die Abdeckung und wechseln Sie das Papier aus, oder drücken Sie die „FEED“ Taste, um den Signalton auszuschalten.

---

## **Installation des Farbbands**

### **VORSICHT:**

*Achten Sie darauf, dass Sie den manuellen Papierabschneider nicht berühren, um Verletzungsgefahr zu vermeiden.*

Verwenden Sie ein Farbband des Typs EPSON ERC-38. Die Verwendung von Farbbändern, die nicht von Epson genehmigt sind, können den Drucker beschädigen, und hat zur Folge, dass die Garantie verfällt.

1. Schalten Sie den Drucker ein. Drehen Sie den Knopf an der Farbbandkassette. Siehe Abbildung H.
2. Öffnen Sie die Papierrollenabdeckung und die Abdeckung der Schneidevorrichtung.
3. Klappen Sie die automatische Schneideeinrichtung mit Hilfe des Hebels um. Siehe Abbildung I. Legen Sie dann das neue Farbband ein. Siehe Abbildung J.
4. Drehen Sie den Knopf des Farbbandes nochmals um 2 bis 3 Umdrehungen, und prüfen Sie, ob sich die Farbbandkassette an der korrekten Position befindet.

---

## **Störungsbehebung**

---

### **ERROR Leuchte blinkt oder leuchtet auf.**

---

- Prüfen Sie, ob die Abdeckung der Schneidevorrichtung geschlossen ist, und überprüfen Sie die Leuchte „PAPER OUT“. Setzen Sie bei Bedarf eine neue Papierrolle ein.
- Wenn ein Papierstau vorliegt, entfernen Sie das gestaute Papier. Folgen Sie hierzu den Anweisungen unter „Papierstau“ im folgenden Abschnitt.
- Schalten Sie den Drucker aus und nach ein paar Sekunden wieder ein. Wenn die Leuchte immer noch blinkt, informieren Sie Ihren System-Administrator oder den Kundendienst.

---

## Papierstau.

---



### **VORSICHT:**

*Der Druckkopf ist heiß.*

1. Schalten Sie den Drucker aus. Öffnen Sie die Papierrollenabdeckung und die Abdeckung der Schneidevorrichtung. Klappen Sie die automatische Schneideeinrichtung mit Hilfe des Hebels um. Siehe Abbildung I.
2. Schneiden Sie das Papier hinter dem Papiereinzugsschlitz ab, und nehmen Sie die Papierrolle aus dem Drucker.
3. Entfernen Sie das gestaute Papier, indem Sie es in die Richtung des Papiereinzugs ziehen. Ziehen Sie es immer in die Richtung des Papiereinzugs, um Beschädigungen des Druckermechanismus zu vermeiden.
4. Wenn immer noch Papier im Drucker verbleibt, entfernen Sie die Farbbandkassette.
5. Lösen Sie die Schraube von der Druckkopfabdeckung. Drehen Sie die Schraube nur so weit, bis sie gekippt werden kann. Siehe Abbildung K.

#### **Hinweis:**

*Entfernen Sie die Schraube nicht von der Druckkopfabdeckung.*

6. Heben Sie die Druckkopfabdeckung an und entfernen Sie das gestaute Papier.
7. Bringen Sie die Druckkopfabdeckung wieder an, und ziehen Sie die Schraube fest.
8. Setzen Sie die Farbbandkassette wieder ein und schließen Sie die Abdeckung der Schneidevorrichtung.

#### **Hinweis:**

*Wählen Sie die Aufstellfläche so, dass sich das nachgeschobene Papier nicht ansammelt. Andernfalls besteht die Gefahr eines Papierstaus.*

---

## **Das Messer der automatischen Schneidevorrichtung ist nicht an der normalen Position.**

---

Wenn das Messer der automatischen Schneidevorrichtung im Schlitz der Schneidevorrichtung zu sehen ist, befindet es sich nicht an ihrer normalen Position. Dies kann durch einen Papierstau verursacht werden.

- ❑ Stecken Sie einen Schraubenzieher in die rechte Seite der Schneidevorrichtung und drehen Sie damit das darin befindliche Zahnrad, bis sich das Schneidmesser an ihrer normalen Position befindet. Siehe Abbildung L.

Nederlands

# TM-U230

## Gebruikershandleiding

### DIP-schakelaars en specificaties

De technische specificaties en de informatie over de DIP-schakelaars treft u voor in deze handleiding aan.

### Illustraties

Alle illustraties treft u voor in deze handleiding aan. Ze worden aangeduid door letters (A, B, C ...). In de tekst wordt met deze letters naar de afbeeldingen verwezen. (Bijvoorbeeld: "Zie afbeelding A.") Sommige afbeeldingen hebben genummerde pijltjes of strepen die naar onderdelen van de afbeelding wijzen. Zie de onderstaande lijst voor de betekenis van de cijfers.

#### Afbeelding A

1. Snijderdeksel
2. Papierroldeksel
3. Bedieningspaneel
4. Aan/uitschakelaar

#### Afbeelding B

5. Interface
6. Lade-uitstoter
7. Stroom

#### Afbeelding L

8. Snijders blad
9. Gat

Alle rechten voorbehouden. Niets uit deze uitgave mag worden vervoelvoudigd, opgeslagen in een geautomatiseerd gegevensbestand of openbaar worden gemaakt in enige vorm of op enige wijze, hetzij elektronisch, mechanisch, door fotokopiëren, opnamen of enige andere manier, zonder voorafgaande schriftelijke toestemming van Seiko Epson Corporation. Er wordt geen aansprakelijkheid voor octrooien aanvaard in verband met gebruik van de informatie in deze uitgave. Hoewel bij het samenstellen van deze uitgave de grootste zorgvuldigheid is betracht, aanvaardt Seiko Epson Corporation geen aansprakelijkheid voor fouten of omissies. Noch wordt aansprakelijkheid aanvaard voor schade die voortvloeit uit gebruik van de informatie in deze uitgave.

Noch Seiko Epson Corporation noch een van haar dochterondernemingen kan aansprakelijk worden gesteld door de koper of door derden voor schade, verliezen of kosten die door de koper of derden zijn gemaakt als gevolg van ongelukken, onjuist gebruik of misbruik van dit product of door onbevoegden uitgevoerde modificaties, reparaties of wijzigingen van dit product of (tevens in de VS) het niet in acht nemen van de aanwijzingen voor gebruik en onderhoud van Seiko Epson Corporation.

Seiko Epson Corporation is niet aansprakelijk voor schade of problemen die voortvloeien uit gebruik van andere optionele producten of verbruiksgoederen dan die welke door Seiko Epson Corporation zijn aangemerkt als "originele Epson-producten" of als "door Epson goedgekeurde producten".

EPSON is een gedeponeerde handelsmerk van Seiko Epson Corporation in Japan en andere landen/gebieden.

**BEKENDMAKING:** Wijzigingen in de inhoud van deze handleiding onder voorbehoud.

Copyright © 2000 by Seiko Epson Corporation, Nagano, Japan.

### WAARSCHUWING

Dit is een product van klasse A. In een residentiële omgeving kan dit product radiostoring veroorzaken; in dat geval zal de gebruiker soms aanvullende maatregelen moeten treffen.

---

## Belangrijke veiligheidsinformatie

Dit gedeelte bevat belangrijke informatie voor veilig en effectief gebruik van dit product. Lees dit gedeelte zorgvuldig door en bewaar het op een goed toegankelijke plaats.

### Verklaring van symbolen

De symbolen in deze handleiding zijn onderverdeeld volgens hun mate van belangrijkheid, zoals hieronder beschreven. Lees het onderstaande zorgvuldig door voordat u het product gebruikt.



#### **WAARSCHUWING:**

*Waarschuwingen moeten goed in acht genomen worden om ernstig lichamelijk letsel te voorkomen.*



#### **LET OP:**

*Voorzorgsmaatregelen moeten in acht genomen worden om licht letsel of apparatuurschade te voorkomen.*

### Veiligheidsmaatregelen



#### **WAARSCHUWING:**

*Het apparaat onmiddellijk uitschakelen wanneer het rook, een vreemde geur of ongebruikelijk geluid afgeeft. Doorgaan met gebruik kan leiden tot brand of elektrische schokken. De stekker onmiddellijk uit het stopcontact trekken en contact opnemen met de leverancier of een servicecentrum van Seiko Epson voor advies.*

*Niet proberen om zelf dit product te repareren. Onjuist uitgevoerde reparaties kunnen gevaar veroorzaken.*

*Dit product niet demonteren of wijzigen. Wijzigen van dit product kan letsel of brand veroorzaken.*

*Ervoor zorgen dat u de juiste voedingsbron gebruikt. Aansluiten op een onjuiste voedingsbron kan brand veroorzaken.*

*Voorkomen dat er voorwerpen in de apparatuur vallen. Binnendringen van voorwerpen kan brand veroorzaken.*

*Als er water of andere vloeistof in deze apparatuur terechtkomt, de stekker onmiddellijk uit het stopcontact trekken en contact opnemen met de leverancier of een Seiko Epson servicecentrum voor advies. Doorgaan met gebruik kan leiden tot brand.*

*Geen spuitbussen met brandgevaarlijk gas in of bij dit product gebruiken. Dat kan brand veroorzaken.*

 **LET OP:**

*De kabels niet op een andere wijze aansluiten dan als vermeld in deze handleiding. Een andere wijze van aansluiting kan apparatuurschade of brand veroorzaken.*

*Dit apparaat moet op een stevige, stabiele en horizontale ondergrond geplaatst worden. Het product kan beschadigd raken of ongelukken veroorzaken als het valt.*

*Niet gebruiken op plaatsen met hoge vochtigheidsgraad of veel stof. Overmatig vocht en stof kunnen apparatuurschade of brand veroorzaken.*

*Geen zware voorwerpen boven op dit product plaatsen. Nooit op dit product gaan staan of leunen. De apparatuur kan defect raken of in elkaar klappen, wat breuk en eventueel letsel kan veroorzaken.*

*Om ongelukken te voorkomen altijd de stekker van dit product uit het stopcontact trekken als u het langere tijd niet gebruikt.*

---

## **Waarschuwinglabels**

De waarschuwingsetiketten op het product geven de volgende veiligheidsmaatregelen mee.

 **WAARSCHUWING:**

*Geen telefoonlijn aansluiten op de connector van de lade-uitstoter. Dat kan de telefoonlijn en de printer beschadigen.*

  **LET OP:**

*De printerkop wordt heet.*

 **LET OP:**

*Wees voorzichtig dat u uw vingers niet bezeert aan de handmatige snijder*

- *Wanneer u afgedrukt papier verwijdert*
- *Wanneer u andere handelingen uitvoert zoals het plaatsen/ vervangen*

---

## **Gebruiksbeperkingen**

Wanneer dit product gebruikt wordt voor toepassingen die een hoge mate van betrouwbaarheid / veiligheid vereisen, zoals bijv. transportapparatuur voor vliegtuigen, treinen, schepen, auto's, enz.; ramppreventievoorzieningen; diverse soorten beveiligingsapparatuur, enz.; of functionele / precisie-apparatuur, mag u dit product alleen gebruiken indien uw ontwerp voorziet in redundantie en fail-safes ten einde de veiligheid en betrouwbaarheid van het complete systeem te waarborgen. Omdat dit product niet bestemd is voor



toepassingen die een uitermate hoge mate van betrouwbaarheid/veiligheid vereisen, zoals luchtvaartapparatuur, primaire communicatieapparatuur, regelapparatuur voor kerninstallaties of medische apparatuur voor directe medische zorg, wordt u geacht uw eigen oordeel te hanteren aangaande de geschiktheid van dit product, op basis van grondige evaluatie.

---

## **Doel van deze handleiding**

Deze handleiding bevat informatie over elementaire handelingen voor veilig en correct gebruik van de printer voor gebruikers van de TM-U230.

---

## **Opmerkingen over reinigen van de printer**

De volgende instructies zijn uitsluitend van toepassing op printers met de dunne deklaag.

De buitenkant van de kunststof behuizing van de printer is voorzien van een dunne laklaag die afnemen en het verwijderen van vlekken vergemakkelijkt: neem de volgende aanwijzingen in acht tijdens het reinigen om de deklaag in goede staat te houden (de metalen plaat en de binnenkant van de behuizing hebben deze deklaag niet):

- ❑ Het oppervlak niet schuren met een hard voorwerp. Dat maakt krassen op de behuizing, wat het reinigen bemoeilijkt.
- ❑ Geen reinigingsmiddel met schuurmateriaal zoals glas-, metaal- of keramiekpoeder gebruiken. Dat maakt krassen op de behuizing, wat het reinigen bemoeilijkt.
- ❑ Geen desinfecterende middelen, bleekmiddel, alcohol, benzeen, thinner of chlooroplosmiddel gebruiken. Dat bemoeilijkt het reinigen van de behuizing en kan de behuizing ernstig beschadigen of zelfs vervormen en doen verkleuren.

---

## **Naam van onderdelen**

Zie afbeelding A t/m L.

---

## **Downloaden van stuur- en hulpprogramma's en gebruiksaanwijzingen**

Stuur- en hulpprogramma's en gebruiksaanwijzingen kunnen van een van de volgende URL's gedownload worden.

Klanten in Noord-Amerika kunnen gebruik maken van de volgende website: <http://www.epsonexpert.com/> en de instructies op het scherm volgen.

Klanten in andere landen kunnen gebruik maken van de volgende website: <http://www.epson-pos.com/>

---

## **Uitpakken**

De printer met standaard specificaties omvat de volgende onderdelen. Neem contact op met de leverancier als een of meer onderdelen beschadigd zijn:

- ❑ Printer
- ❑ Lintcassette (ERC-38 [Zwart/Rood])

- Rol papier
- Label voor het schakelpaneel voor horizontale installatie
- Netspanningsadapter (PS-180) (\*)
- Voedingskast (kast en deksel) (\*)
- Korte schroeven voor bevestiging van het deksel op de voedingskast (2) (\*)
- Lange schroeven voor bevestiging van de voedingskast op de printer (2) (\*)
- Instructiefiel *Voorzorgsmaatregelen bij gebruik van de PS-180 voeding*  
(\*) *Soms niet met de printer meegeleverd.*

---

## **Selecteren van een plaats**

Met de drie installatieposities kan de printer in elke keuken worden geïnstalleerd. U kunt de printer verticaal installeren (met de papieruitvoer naar voren) op een vlak oppervlak of door hem aan de muur te hangen (met optionele ophangbeugelset WH-10). Het is ook mogelijk om de printer horizontaal te installeren (met de papieruitvoer naar boven).

---

## **Verticale installatie**

U kunt de printer verticaal installeren of aan de muur hangen. In illustratie C is de printer verticaal geïnstalleerd, zowel met als zonder ruimte voor de voeding.

**NB:**

*Raadpleeg de met WH-10 meegeleverde handleiding voor installatie met de ophangbeugelset voor nadere aanwijzingen.*

---

## **Horizontale installatie**

U kunt de printer horizontaal installeren. In illustratie D is de printer te zien met ruimte voor de voeding.

---

## **Belangrijke opmerkingen over het inbouwen van de netspanningsadapter type PS-180 in de printer**

Wanneer u de netspanningsadapter type PS-180 wilt inbouwen in de daarvoor bestemde ruimte van de printer, moet u de informatie op het etiket van de netspanningsadapter (vermogen, waarschuwingen enzovoort) op voorhand goed doorlezen en weten wat deze informatie inhoudt.

---

## **Bedieningspaneel**

### **POWER-lampje**

Brandt als de stroom aan staat; uit als de stroom uit staat.

### **ERROR-lampje**

Dit lampje is uit wanneer de printer on-line is, brandt wanneer de printer off-line is en knippert als er een fout is opgetreden.

### **PAPER OUT-lampje**

Dit lampje gaat branden als de papierrol bijna leeg is.

## FEED-knop

Voert het papier in het apparaat in.

---

## Installeren van de papierrol



### **LET OP:**

*Pas op dat u de papiersnijder niet aanraakt. Anders kunt u uw vingers verwonden.*

#### **NB:**

*Alleen papierrollen gebruiken die voldoen aan de specificaties.*

1. Knip de voorrand van de papierstrook met een schaar recht af. Zie afbeelding E.
2. Open het papierroldeksel en zet vervolgens de printer aan.
3. Plaats een papierrol in de printer; pak beide randen van het papier beet en steek het recht in de papierinsteekgleuf totdat het papier automatisch in de printer wordt getrokken. Zie afbeelding F.

#### **NB:**

*Let op de richting waarin het papier van de rol komt. Zie afbeelding G.*

4. Nadat de papertoevoer klaar is, scheurt u het toegevoerde papier af met de handmatige papiersnijder.
5. Sluit het papierroldeksel.
6. Wanneer het lampje PAPER OUT knippert, drukt u op de knop FEED om de printer online te zetten.

---

## Opmerking over het lampje PAPER OUT

Als het papier op of bijna op is, gaat het lampje PAPER OUT branden. Er klinkt ook een waarschuwingssignaal als de printer is ingesteld op het geven van een signaal bij gebrek aan papier. Als u het deksel opent om de papierrol te vervangen of als u op de knop FEED drukt, stopt het waarschuwingssignaal.

---

## Installeren van het lint



### **LET OP:**

*Pas op dat u de papiersnijder niet aanraakt. Anders kunt u uw vingers verwonden.*

Gebruik het Epson lint nr. ERC-38. Gebruik van lintcassettes die niet door Epson zijn goedgekeurd kan de printer beschadigen en maakt de garantie ongeldig.

1. Zet de printer aan. Draai de knop van de lintcassette. Zie afbeelding H.
2. Open het papierroldeksel en het papiersnijderdeksel.
3. Pak de automatische papiersnijder bij de lip beet en klap hem omhoog; zie afbeelding I. klap hem omhoog; zie afbeelding J.
4. Draai de knop nogmaals twee of drie slagen en kijk of de lintcassette goed is geplaatst.

---

## Troubleshooten

---

---

### Foutlampje brandt constant of knippert.

---

- ❑ Controleer of het papierroldeksel en het papiersnijderdeksel dicht zijn en kijk naar het lampje PAPER OUT. Doe zonodig nieuw papier in de printer.
- ❑ Als het papier is vastgelopen, verwijdert u het vastgelopen papier volgens de aanwijzingen onder *Vastgelopen papier* hieronder.
- ❑ Zet de printer enige seconden uit en vervolgens weer aan. Als het lampje nog steeds knippert, moet u de hulp van uw chef of een onderhoudsmonteur inroepen.

---

### Vastgelopen papier.

---



#### **LET OP:**

*De printerkop wordt heet.*

1. Zet de printer uit, open het papierroldeksel en het papiersnijderdeksel; til de papiersnijder vervolgens aan de lip omhoog. Zie afbeelding I.
2. Knip het papier achter de papierinsteekgleuf door en haal de papierrol uit de printer.
3. Verwijder het vastgelopen papier door het in de toevoerrichting van het papier te trekken. Trek het papier altijd in de toevoerrichting om beschadiging van het printermechaniek te vermijden.
4. Als er nog steeds papier in de printer zit, verwijdert u de lintcassette.
5. Draai de schroef los waarmee het printkopdeksel is bevestigd. Draai de schroef zover dat u hem kunt kantelen, maar niet verder. Zie afbeelding K.

#### **NB:**

*De schroef niet loshalen van het printkopdeksel.*

6. Open het printkopdeksel en verwijder het vastgelopen papier.
7. Installeer het printkopdeksel weer op zijn plaats en schroef het vast.
8. Installeer de lintcassette weer op zijn plaats en sluit het papiersnijderdeksel.

#### **NB:**

*Kies voor de installatie een plaats waarbij het toegevoerde papier zich niet ophoopt. Anders kan het papier vastlopen.*

---

### Het mes van de automatische papiersnijder zit niet op zijn normale plaats.

---

Als u het mes kunt zien in de gleuf van de papiersnijder, zit het niet op de juiste plaats. Dat kan ertoe leiden dat het papier vastloopt.

- ❑ Steek rechts van de papiersnijder een schroevendraaier in en draai het tandwiel binnenin om het mes naar de normale plaats te brengen. Zie afbeelding L.

# TM-U230

## Manuel d'utilisation

### Commutateurs DIP et caractéristiques techniques

Les caractéristiques techniques et les informations concernant les commutateurs DIP se trouvent au début du manuel.

### Illustrations

Toutes les figures sont présentées au début du manuel. Elles sont identifiées par des lettres (A, B, C ...). Ces lettres sont utilisées dans le texte pour renvoyer aux figures. (Ex.: "Voir figure A.") Certaines figures comportent des flèches ou lignes numérotées pointées vers des éléments particuliers. La liste suivante indique la signification des numéros.

#### Figure A

1. Couvercle du massicot
2. Couvercle du rouleau de papier
3. Panneau de commande
4. Interrupteur de marche-arrêt

#### Figure B

5. Interface
6. Ouverture automatique du tiroir
7. Alimentation électrique

#### Figure L

8. Lame de coupeur
9. Trou

Tous droits réservés. Sauf autorisation écrite préalable de Seiko Epson Corporation, la reproduction, le stockage dans un système de rappel de données et la transmission sous quelque forme ou par quelque moyen que ce soit (électronique, mécanique, par photocopie, enregistrement, etc...) d'une partie quelconque de la présente publication sont interdits. La société décline toute responsabilité relative à l'exploitation des informations contenues dans le présent document. Cet ouvrage a été rédigé avec le plus grand soin ; toutefois, Seiko Epson décline toute responsabilité pour les erreurs et omissions qu'il pourrait contenir, ainsi que pour tous dommages résultant de l'exploitation des informations qu'il contient.

La responsabilité de Seiko Epson Corporation ou de ses filiales ne saurait être engagée envers l'acheteur de ce produit ou envers des tiers pour dommages, pertes, frais ou débours encourus par ceux-ci par suite d'accident ou d'utilisation erronée ou abusive de ce produit, de modification, réparation ou transformation non autorisée de celui-ci, ou (à l'exclusion des Etats-Unis), de toute utilisation du produit qui n'est pas strictement conforme aux instructions d'utilisation et de maintenance de Seiko Epson Corporation.

Seiko Epson Corporation décline toute responsabilité pour dommages ou problèmes découlant de l'utilisation de tous articles en option ou de toutes fournitures consommables autres que celles désignées produit d'origine Epson ou produit approuvé Epson par Seiko Epson Corporation.

EPSON est une marque déposée de Seiko Epson Corporation au Japon et dans d'autres pays/régions.

REMARQUE : Les informations contenues dans ce manuel sont sujettes à modification sans préavis.

Copyright © 2000 par Seiko Epson Corporation, Nagano, Japon

### AVERTISSEMENT

Cet appareil est un produit de classe A. Dans un environnement résidentiel, il risque de provoquer un brouillage radio, auquel cas l'utilisateur pourra être tenu de prendre des mesures adéquates.

---

## A l'intention des utilisateurs canadiens

Cet appareil numérique de Classe A est conforme à la norme canadienne NMB-003.

---

## Importantes précautions de sécurité

D'importantes informations destinées à assurer un emploi sans danger et efficace de ce produit sont présentées dans cette section. Lisez-la attentivement et rangez-la dans un endroit facile d'accès.

## Signification des symboles

Dans ce manuel, les symboles sont identifiés par ordre d'importance de la manière indiquée ci-après. Lisez attentivement ce qui suit avant de manipuler le produit.



### **AVERTISSEMENT :**

*Respectez strictement les avertissements afin d'éviter tout risque de blessure grave.*



### **ATTENTION :**

*Ces mises en garde doivent être respectées afin d'éviter les risques de blessure légère ou de dégâts matériels.*

## Consignes de sécurité



### **AVERTISSEMENT :**

*Mettre immédiatement l'équipement hors tension s'il dégage de la fumée ou une odeur étrange ou s'il émet des bruits inhabituels. En persistant à l'utiliser dans ces circonstances, on risquerait de provoquer un incendie. Débrancher immédiatement l'équipement et contacter le distributeur ou un centre de service Seiko Epson pour demander conseil.*

*Ne jamais essayer de réparer ce produit soi-même. Toute réparation erronée peut être dangereuse.*

*Ne jamais démonter ou modifier ce produit. Les interventions intempestives peuvent provoquer des blessures ou des incendies.*

*Vérifier que la source d'alimentation électrique est conforme aux spécifications. Toute connexion à une source d'alimentation non conforme peut provoquer un incendie.*

*Ne pas laisser tomber de corps étrangers dans l'équipement. La pénétration de corps étrangers peut provoquer un incendie.*

En cas de pénétration d'eau ou d'un autre liquide renversé dans l'équipement, débrancher immédiatement le cordon d'alimentation et contacter le distributeur ou un centre de service Seiko Epson pour demander conseil. En persistant à utiliser l'équipement dans ces circonstances, on risquerait de provoquer un incendie.

Ne pas utiliser de bombes à aérosol contenant un gaz inflammable à l'intérieur ou à proximité de ce produit. Cela pourrait entraîner un incendie.

### **ATTENTION :**

Se conformer strictement aux instructions relatives à la connexion de câbles du présent manuel. Tout écart peut provoquer l'endommagement de l'équipement ou un incendie.

Veiller à poser cette unité sur une surface horizontale ferme et stable. Toute chute du produit peut casser celui-ci ou occasionner des blessures.

Ne pas utiliser le produit dans des endroits très poussiéreux ou exposés à une forte humidité. Toute humidité ou poussière excessive peut provoquer l'endommagement de l'équipement ou un incendie.

Ne pas poser d'objets lourds sur ce produit. Ne jamais s'y appuyer ou monter dessus. L'équipement pourrait tomber ou s'affaisser, et se casser ou causer des blessures.

Pour plus de sécurité, débrancher ce produit lorsqu'il ne doit pas servir pendant une période de temps prolongée.

## **Etiquetage de sécurité**

Les étiquettes de mise en garde sur le produit indiquent les précautions suivantes.

### **AVERTISSEMENT :**

Ne pas brancher une ligne téléphonique sur le connecteur d'ouverture automatique du tiroir ; on risquerait d'endommager l'imprimante et la ligne téléphonique.

### **ATTENTION :**

La tête d'impression est brûlante.

### **ATTENTION :**

Prenez garde de ne pas vous couper les doigts au couteau manuel

- En retirant le papier imprimé
- Lors d'autres opérations comme le chargement/remplacement du rouleau de papier

---

## **Restrictions d'emploi**

En cas d'utilisation de ce produit pour des applications exigeant une grande fiabilité/sécurité, telles que des appareils employés en transport aérien, ferroviaire, maritime, automobile, etc., des appareils de prévention des catastrophes, divers appareils de sécurité, etc., ou des appareils de fonction/précision, vous devez, avant d'utiliser ce produit, considérer l'incorporation à votre système de dispositifs de sécurité positive et de moyens redondants assurant la sécurité et la fiabilité de l'ensemble du système. Étant donné que ce produit n'est pas destiné aux applications exigeant une fiabilité/sécurité extrême, telles que du matériel aérospatial, du matériel de communications principal, du matériel de commande nucléaire ou du matériel de soins médicaux directs, etc., vous devez, après une évaluation complète, décider si ce produit convient.

---

## **Objectif de ce manuel**

Ce manuel est destiné à fournir une description des opérations de base de la TM-U230 aux utilisateurs afin de leur permettre de se servir sans danger et de manière correcte de l'imprimante.

---

## **Remarques relatives au nettoyage de l'imprimante**

Les instructions suivantes ne concernent que les imprimantes à revêtement fin. La surface externe du boîtier en plastique de l'imprimante est constituée par un revêtement fin, qui facilite l'élimination des taches d'aliments. À noter toutefois que lors du nettoyage de cette surface, il importe de respecter les précautions suivantes pour préserver la qualité du revêtement (la plaque de métal et l'intérieur du boîtier ne sont pas munis du même revêtement) :

- ❑ Ne pas récurer la surface à l'aide d'un objet dur. On rayerait le boîtier et rendrait celui-ci plus difficile à nettoyer.
- ❑ Ne pas utiliser de produit de nettoyage contenant des agents de polissage tels que des particules de verre, de métal ou de céramique. On rayerait le boîtier et rendrait celui-ci plus difficile à nettoyer.
- ❑ Ne pas nettoyer la surface au désinfectant, à l'eau de javel, à l'alcool, au benzène, au diluant, ou au solvant à base de chlorure ou de cétone. On rendrait le boîtier plus difficile à nettoyer et risquerait d'altérer sa couleur, de l'endommager gravement, voir de le déformer.

---

## **Nomenclature**

Voir figures A à L.



---

## Téléchargement des pilotes, utilitaires et manuels

Il est possible de télécharger les pilotes, utilitaires et manuels à partir de l'une des URL suivantes.

En Amérique du Nord, accédez au site web suivant :

<http://www.epsonexpert.com/> et suivez les instructions qui s'affichent à l'écran.

Dans les autres pays, accédez au site web suivant :

<http://www.epson-pos.com/>

---

## Déballage

Les articles suivants font partie de l'inventaire d'emballage de l'imprimante standard. En cas d'endommagement de l'un quelconque de ces articles, contacter le revendeur.

- Imprimante
- Cassette ruban [ERC-38 (N/R)]
- Rouleau de papier
- Etiquette du panneau de l'interrupteur d'alimentation, pour installation horizontale
- Adaptateur secteur [PS-180] (\*)
- Bloc d'alimentation (boîtier et couvercle) (\*)
- Les vis courtes servent à fixer le couvercle au boîtier de l'alimentation (2) (\*)
- Les vis longues servent à fixer le boîtier de l'alimentation à l'imprimante (2) (\*)
- Précautions d'utilisation pour l'adaptateur secteur PS-180 (\*)

(\*) *Peut ne pas être inclus avec l'imprimante.*

---

## Choix de l'emplacement

Avec son choix de trois positions d'installation, l'imprimante est conçue pour convenir à toutes les cuisines. Elle peut s'installer verticalement (sortie papier sur l'avant), soit posée sur une surface plate, soit accrochée au mur (à l'aide de l'ensemble de montage WH-10 en option). Elle peut également s'installer horizontalement (sortie papier sur le dessus).

---

## Installation verticale

L'imprimante peut s'installer verticalement, posée sur une surface ou accrochée au mur. Figure C présentent l'imprimante installée verticalement, avec et sans bloc d'alimentation connecté.

### **Remarque :**

*Pour l'installation murale de l'imprimante, consulter les instructions du manuel d'installation de l'ensemble de montage mural qui accompagne l'élément WH-10.*

---

## Installation horizontale

L'imprimante peut s'installer horizontalement. Figure D présente l'imprimante avec le bloc d'alimentation connecté.

---

## Remarques importantes relatives à la mise en place de l'adaptateur secteur PS-180 dans l'imprimante

Lors de la mise en place de l'adaptateur secteur PS-180 dans le bloc d'alimentation de l'imprimante, veillez à lire attentivement et à bien comprendre les informations figurant sur l'étiquette de l'adaptateur secteur (ampérage, Avertissement/Mises en garde) avant de mettre en place l'adaptateur secteur dans l'imprimante.

---

## Panneau de commande

### TÉMOIN DE MARCHÉ

Allumé quand l'imprimante est en marche et éteint quand elle est à l'arrêt.

### TÉMOIN D'ERREUR (ERROR)

Éteint lorsque l'imprimante est en ligne, allumé quand elle est hors ligne, clignotant en cas d'erreur.

### TÉMOIN DE PAPIER ÉPUISE (PAPER OUT)

Ce témoin s'allume quand il n'y a presque plus de papier.

### Bouton d'avance (FEED)

Fait avancer le rouleau de papier.

---

## Installation du rouleau de papier



### ATTENTION :

Faites attention à ne pas toucher le coupe-papier manuel, Vous risquez sinon de vous blesser les doigts.

#### Remarque :

Veillez à utiliser un rouleau de papier conforme aux spécifications.

1. À l'aide de ciseaux, coupez le bord avant du rouleau de papier. Voir figure E.
2. Ouvrir le couvercle du rouleau de papier, puis mettre l'imprimante sous tension.
3. Insérer un rouleau de papier, puis saisir les bords du papier et l'insérer droit dans la fente d'insertion, jusqu'à ce qu'il s'alimente automatiquement. Voir figure F.

#### Remarque :

Notez le sens de déroulement du papier. Voir figure G.

4. Lorsque le papier cesse d'avancer, déchirez la partie sortante au moyen du coupe-papier manuel.
5. Fermer le couvercle du rouleau de papier.

6. Lorsque le voyant PAPER OUT (à court de papier) clignote, appuyer sur le bouton FEED (alimentation) pour mettre l'imprimante en ligne.

### **Remarque relative au voyant PAPER OUT (à court de papier)**

Lorsque l'imprimante arrive à la fin (ou presque à la fin) du rouleau de papier, le voyant PAPER OUT s'allume. L'avertisseur sonore se fait entendre si l'imprimante a été configurée pour donner un signal sonore en fin de rouleau. Pour arrêter l'avertisseur sonore, ouvrir le couvercle afin de changer le rouleau ou appuyer sur le bouton FEED (avance du papier).

### **Installation du ruban**



#### **ATTENTION :**

*Faites attention à ne pas toucher le coupe-papier manuel, Vous risquez sinon de vous blesser les doigts.*

Utiliser le ruban EPSON ERC-38. L'utilisation de cassettes de ruban non approuvées par Epson peut endommager l'imprimante et entraîne l'annulation de la garantie.

1. Mettre l'imprimante sous tension. Tourner la molette de la cassette de ruban. Voir figure H.
2. Ouvrir le couvercle du rouleau de papier et le couvercle du massicot.
3. Soulever le massicot automatique par la languette; Voir figure I. Puis insérer le nouveau ruban; Voir figure J.
4. Faire faire deux ou trois tours supplémentaires à la molette pour vérifier que le ruban est dans la bonne position.

### **Dépannage**

#### **Voyant d'erreur allumé ou clignotant.**

- ❑ Vérifier que les couvercles du rouleau de papier et du massicot sont fermés et que le voyant PAPER OUT (à court de papier) n'est pas allumé. Remplacer le papier au besoin.
- ❑ En cas de bourrage de papier, dégager le papier coincé conformément aux instructions de la section « Bourrage de papier », ci-dessous.
- ❑ Mettre l'imprimante hors tension pendant quelques secondes, puis la remettre sous tension. Si le voyant clignote toujours, appeler le superviseur ou un technicien.

---

## Bourrage de papier.

---



### **ATTENTION :**

*La tête d'impression est brûlante.*

1. Mettre l'imprimante hors tension, ouvrir les couvercles du rouleau de papier et du massicot, puis soulever le massicot automatique par la languette. Voir figure I.
2. Couper le papier derrière la fente d'insertion et retirer le rouleau de papier de l'imprimante.
3. Retirer le papier coincé en tirant dessus dans le sens de l'alimentation. Pour éviter tout risque d'endommagement du mécanisme d'impression, toujours tirer le papier dans le sens de l'alimentation.
4. S'il reste du papier dans l'imprimante, retirer la cassette de ruban.
5. Desserrer le vis de fixation du couvercle de la tête d'impression. Cesser de tourner la vis dès qu'on peut l'incliner. Voir figure K.

#### **Remarque :**

*Ne pas retirer la vis de la tête d'impression.*

6. Soulever le couvercle de la tête d'impression, puis retirer le papier coincé.
7. Remettre le couvercle de la tête d'impression en place et le fixer à l'aide de la vis.
8. Remettre le ruban en place et fermer le massicot automatique.

#### **Remarque :**

*Choisissez un emplacement d'installation où le papier sortant ne s'accumulera pas. Des bourrages de papier risquent sinon de se produire.*

---

## **Le massicot automatique n'est pas dans sa position normale.**

---

Si la lame est visible par la fente du massicot automatique, c'est qu'elle n'est pas dans sa position normale. Un bourrage de papier peut être en cause.

- Insérer un tournevis dans le côté droit du massicot automatique et tourner l'engrenage interne pour remettre la lame dans sa position normale. Voir figure L.

# TM-U230

## Manual do utilizador

### Especificações e interruptores DIP

As especificações técnicas e as informações sobre os interruptores DIP encontram-se no início deste manual.

### Ilustrações

As ilustrações encontram-se todas no início deste manual e estão identificadas por letras (A, B, C ...). No texto, as ilustrações são identificadas por essas letras (por exemplo, "Consulte a ilustração A."). Algumas ilustrações têm setas ou linhas numeradas que indicam partes da ilustração. Consulte a lista seguinte para saber o que significam os números.

#### Ilustração A

1. Tampa do dispositivo de corte
2. Tampa do rolo de papel
3. Painel de controlo
4. Interruptor de ligação

#### Ilustração B

5. Interface
6. Abertura da gaveta
7. Alimentação eléctrica

#### Ilustração L

8. lâmina de cortador
9. Buraco

Todos os direitos reservados. Esta publicação não pode ser integral ou parcialmente reproduzida, arquivada nem transmitida por meio de fotocópias, gravação ou qualquer outro sistema mecânico ou electrónico, sem a prévia autorização por escrito da Seiko Epson Corporation, que não assume qualquer responsabilidade de patente no que diz respeito ao uso das informações aqui contidas. Uma vez que foram tomadas todas as precauções na elaboração deste manual, a Seiko Epson Corporation não se responsabiliza por erros ou omissões, nem por quaisquer danos resultantes do uso das informações aqui contidas.

O comprador deste produto ou terceiros não podem responsabilizar a Seiko Epson Corporation, ou as suas filiais, por quaisquer danos, perdas, custos ou despesas, incorridos por ele ou por terceiros, resultantes de acidentes, abusos ou má utilização do produto, de modificações não autorizadas, reparações ou alterações do produto, ou resultantes ainda da inobservância estrita das instruções de utilização e manutenção estabelecidas pela Seiko Epson Corporation. A Seiko Epson Corporation não se responsabiliza por quaisquer avarias ou problemas provocados pela utilização de opções ou produtos não reconhecidos como sendo produtos genuínos Epson ou produtos aprovados pela Seiko Epson Corporation.

EPSON é marca registada da Seiko Epson Corporation no Japão e noutros países/regiões.

AVISO: O conteúdo deste manual está sujeito a alterações sem aviso prévio.

© 2000 Seiko Epson Corporation, Nagano, Japão.

### IMPORTANTE

Este é um produto de Classe A. Num ambiente doméstico, este produto poderá causar interferência de rádio. Nesse caso, o utilizador poderá ter de tomar medidas adequadas.

---

## Informações de segurança importantes

Esta secção apresenta informações importantes cuja finalidade é garantir uma utilização segura e eficaz deste produto. Leia esta secção com atenção e guarde-a num local de fácil acesso.

### Significado dos símbolos

Os símbolos que aparecem neste manual são identificados pelo seu grau de importância, como se explica abaixo. Leia esta secção com atenção antes de manusear o produto.



#### **IMPORTANTE:**

*Cuidados que deve ter para evitar lesões físicas graves.*



#### **ATENÇÃO:**

*Cuidados que deve ter para evitar lesões físicas secundárias ou danos ao equipamento.*

### Instruções de segurança



#### **ATENÇÃO:**

*Se o equipamento emitir fumo, um odor estranho ou um ruído invulgar, desligue-o imediatamente. Se o continuar a utilizar, poderá provocar um incêndio ou um choque eléctrico. Desligue imediatamente o equipamento da tomada e contacte o Serviço de Assistência a Clientes Seiko Epson.*

*Nunca tente reparar este produto; as reparações indevidas podem tornar-se perigosas.*

*Nunca desmonte ou modifique este produto; caso contrário pode ferir-se, provocar um incêndio ou um choque eléctrico.*

*Utilize a fonte de energia especificada; caso contrário, poderá provocar um incêndio ou um choque eléctrico.*

*Nunca insira ou retire a ficha com as mãos húmidas; se o fizer, corre o risco de apanhar um choque eléctrico.*

*Não permita a entrada de objectos estranhos no interior do equipamento; caso contrário, poderá provocar um incêndio ou um choque eléctrico.*

*Se derramar água ou outro líquido no equipamento, desligue o cabo de corrente imediatamente e contacte o Serviço de Assistência a Clientes Seiko Epson. Se continuar a utilizar o equipamento, poderá provocar um incêndio ou um choque eléctrico.*

*Não utilize aspersores aerossóis que contenham gás inflamável no interior ou em torno deste produto, pois isto pode causar incêndio.*

** IMPORTANTE:**

*Ao ligar os cabos, siga estritamente as instruções do manual. Diferentes ligações podem danificar ou queimar o equipamento.*

*Instale o equipamento numa superfície firme, plana e estável, para evitar que o equipamento caia e fique danificado ou cause ferimentos.*

*Evite locais sujeitos a níveis de humidade e pó elevados. Humidade e pó em excesso podem danificar o equipamento, provocar um incêndio ou um choque eléctrico.*

*Não coloque objectos pesados em cima deste produto. Não se sente nem se apoie em cima do produto. O equipamento pode cair ou ceder e partir ou provocar ferimentos.*

*Para maior segurança, desligue este produto se não o for utilizar durante um longo período.*

**Etiquetas de aviso**

As etiquetas de aviso no produto indicam as seguintes precauções.

** ATENÇÃO:**

*Não ligue uma linha telefónica ao conector de abertura da gaveta; caso contrário, poderá danificar a impressora e a linha telefónica.*

**  CUIDADO:**

*A cabeça de impressão está quente.*

** CUIDADO:**

*Tome cuidado em não ferir os seus dedos no cortador manual quando Você:*

- *Remove papel impresso*
- *Executa outras atividades como carga / substituição de rolo de papel*

**Restrições quanto à utilização**

Quando este produto for utilizado em aplicações que requeiram alta fiabilidade/segurança, como por exemplo dispositivos de transporte relacionados com aviação, carris, por via marítima, terrestre, etc.; dispositivos para a prevenção de desastres; vários dispositivos de segurança, etc.; ou dispositivos funcionais/de precisão, etc., deve-se utilizá-lo apenas após considerar-se adequadamente a inclusão de protecção contra falhas e de redundâncias na sua construção de forma a serem mantidas a segurança e a total fiabilidade do sistema. Como este produto não se destina à utilização em aplicações que requeiram fiabilidade/segurança extremamente altas, como equipamentos aeroespaciais, equipamentos de base para comunicações,

equipamentos para o controlo de energia nuclear, ou equipamentos médicos relacionados com cuidados médicos directos, etc., tome a sua própria decisão sobre a adequação deste produto após uma avaliação completa.

## ***Finalidade deste manual***

Este manual fornece informações para os operadores da TM-U230, descrevendo as operações básicas a permitir o uso seguro e correcto da impressora.

## ***Limpeza da impressora***

As instruções a seguir aplicam-se apenas às impressoras que tenham o revestimento fino.

A superfície exterior da caixa da impressora tem um revestimento que facilita a limpeza e a remoção de nós. No entanto, para preservar a qualidade do revestimento (a placa metálica e o interior da caixa não possuem este revestimento) deve ter em conta as seguintes precauções:

- ❑ Não esfregue a caixa com objectos abrasivos; caso contrário, a caixa ficará riscada o que tornará mais difícil a sua limpeza.
- ❑ Não utilize produtos de limpeza que contenham materiais para polir, por exemplo, com granulado de vidro, metal ou cerâmica; caso contrário, a caixa ficará riscada o que tornará mais difícil a sua limpeza.
- ❑ Não utilize desinfetantes, lixívia, álcool, benzina, diluente, cloro ou acetona. Estes produtos tornam mais difícil a limpeza da caixa e podem danificar seriamente o equipamento, deformar a caixa e provocar a sua descoloração.

## ***Nomes das peças***

Veja as Ilustrações A a L.

## ***Download de Drivers, Utilitários e Manuais***

Pode-se fazer o download dos drivers, utilitários e manuais a partir de um dos URL abaixo.

Para clientes na América do Norte, visitar o seguinte sítio da web:  
<http://www.epsonexpert.com/> e seguir as instruções no écran.

Para clientes noutros países, visitar o seguinte sítio da web:  
<http://www.epson-pos.com/>

## ***Desembalagem***

Os seguintes elementos são fornecidos com a impressora. Se algum deles se encontrar danificado, contacte o Serviço de Assistência a Clientes EPSON.

- ❑ Impressora
- ❑ Fita [ERC-38 (P/V)]
- ❑ Rolo de papel
- ❑ Etiqueta do painel utilizada na instalação horizontal



- ❑ Adaptador de corrente alterna [PS-180] (\*)
  - ❑ Caixa da fonte de alimentação (caixa e tampa) (\*)
  - ❑ Parafusos mais curtos para que se prenda a tampa à caixa de suprimento de alimentação (2) (\*)
  - ❑ Parafusos mais longos para que se prenda a caixa de suprimento de alimentação à impressora (2) (\*)
  - ❑ Instruções da fonte de alimentação [PS-180] (\*)
- (\*) Podem não ser fornecidos com a impressora.

---

## **Escolha do local**

Com três posições de instalação, esta impressora pode ser instalada em qualquer cozinha. Pode instalar a impressora na vertical (ejeção do papel pela frente), pousando-a numa superfície plana ou fixando-a na parede (utilizando os suportes opcionais WH-10). Pode igualmente instalá-la na horizontal (ejeção do papel pela parte de cima).

---

## **Instalação vertical**

Pode pousar a impressora na vertical ou fixá-la numa parede. Em ilustração C, pode ver a impressora instalada na vertical, com e sem a fonte de alimentação.

### **Nota:**

*Para fixar a impressora na parede, consulte o manual de instalação fornecido com o suporte de parede WH-10.*

---

## **Instalação horizontal**

Pode igualmente instalar a impressora na horizontal. Em ilustração D, pode ver a impressora instalada na horizontal, com a fonte de alimentação.

---

## **Notas importantes sobre a inserção do adaptador CA PS-180 na impressora**

Quando inserir o adaptador CA PS-180 na caixa da fonte de energia da impressora, leia atentamente as informações da etiqueta do adaptador CA (voltagem, Atenção/Importante) e certifique-se de que não tem dúvidas antes de inserir o adaptador CA na impressora.

---

## **Painel de controlo**

### **INDICADOR LUMINOSO DE ALIMENTAÇÃO**

Acende quando a alimentação para a impressora está ligada, apaga quando desligada.

### **INDICADOR LUMINOSO DE ERRO**

Inactivo quando a impressora está *online*, activo quando a impressora está *offline* e intermitente quando ocorre um erro.

### **INDICADOR LUMINOSO DE FINAL DO ROLO DE PAPEL (PAPER OUT)**

Acende quando o rolo de papel está quase no final.

## Botão de AVANÇO DO PAPEL (FEED)

Faz com que avance o rolo de papel.

### Instalação do rolo de papel



#### **CUIDADO:**

Tenha o cuidado de não tocar no utensílio de corte, caso contrário, pode machucar os seus dedos.

#### **Nota:**

Utilize rolo de papel que cumpra as especificações exigidas.

1. Com uma tesoura, corte o bordo de guia do rolo de papel. Consulte a ilustração E.
2. Abra a tampa do rolo de papel; em seguida, ligue a impressora.
3. Introduza um rolo de papel; em seguida, pegue no papel pelas duas margens e insira-o na entrada de papel até que ele seja alimentado automaticamente. Consulte a ilustração F.

#### **Nota:**

Preste atenção à direcção em que o papel desenrola-se. Consulte a ilustração G.

4. Quando o papel tiver avançado, elimine, usando o utensílio de corte, o pedaço que já foi liberado.
5. Feche a tampa do rolo de papel.
6. Quando o indicador luminoso de falta de papel (PAPER OUT) ficar intermitente, pressione a tecla de alimentação (FEED) para activar a impressora.

### Indicador luminoso de falta de papel (PAPER OUT)

Quando o papel acabar ou estiver a chegar ao fim, o indicador luminoso PAPER OUT acende. O sinal sonoro também será activado caso a impressora tenha sido configurada de forma que o sinal sonoro seja activado quando o papel acabar ou estiver a chegar ao fim. O sinal sonoro desaparece se abrir a tampa para substituir o papel ou pressionar a tecla de alimentação (FEED).

### Instalação da fita



#### **CUIDADO:**

Tenha o cuidado de não tocar no utensílio de corte, caso contrário, pode machucar os seus dedos.

Utilize a fita EPSON ERC-38. Se utilizar outras fitas que não as recomendadas pela Epson pode danificar a impressora e perder os direitos da garantia Epson.

1. Ligue a impressora. Rode o botão da cassete de fita. Consulte a ilustração H.
2. Abra a tampa do rolo de papel e a tampa do dispositivo de corte.
3. Levante o dispositivo de corte automático, utilizando a respectiva patilha; Consulte a ilustração I. Em seguida, insira a nova fita. Consulte a ilustração J.
4. Rode o botão da cassete de fita duas ou três vezes e certifique-se de que a cassete da fita está na posição correcta.

---

## Resolução de problemas

---

### O indicador de erro está aceso ou intermitente.

---

- ❑ Certifique-se de que a tampa do rolo de papel e a tampa do dispositivo de corte estão fechadas e verifique o estado do indicador luminoso de falta de papel (PAPER OUT). Se necessário, substitua o papel.
- ❑ Se o papel estiver encravado, retire-o seguindo as instruções fornecidas em seguida.
- ❑ Desligue a impressora, aguarde alguns segundos e volte a ligá-la. Se o indicador luminoso continuar intermitente, contacte o Serviço de Assistência a Clientes Epson.

---

### Encravamento de papel.

---



#### **CUIDADO:**

*A cabeça de impressão está quente.*

1. Desligue a impressora, abra a tampa do rolo de papel e a tampa do dispositivo de corte; em seguida, levante o dispositivo de corte automático, utilizando a respectiva patilha. Consulte a ilustração I.
2. Corte o papel imediatamente antes da entrada de papel e retire o rolo de papel da impressora.
3. Retire o papel encravado, puxando-o na direcção da alimentação. Puxe sempre o papel na direcção da alimentação para evitar danos no mecanismo da impressora.
4. Se o papel continuar encravado na impressora, retire a cassete de fita.
5. Desaperte o parafuso que fixa a tampa da cabeça de impressão. Rode o parafuso apenas até o poder inclinar, Consulte a ilustração K.

**Nota:**

*Não retire o parafuso da tampa da cabeça de impressão.*

6. Levante a tampa da cabeça de impressão; em seguida, retire o papel encravado.
7. Volte a colocar a tampa da cabeça de impressão e aperte o parafuso.
8. Volte a colocar a cassete de fita e feche a tampa do dispositivo de corte.

**Nota:**

*Tenha o cuidado de não tocar no utensílio de corte, caso contrário, pode machucar os seus dedos.*

---

### A lâmina do dispositivo de corte automática não está na posição normal.

---

Se conseguir ver a lâmina através da abertura existente no dispositivo de corte automático, isso significa que ela não está na posição normal. Isto pode ter sido provocado por um encravamento de papel.

- ❑ Introduza uma chave de fendas no lado direito do dispositivo de corte automático e faça rodar a engrenagem interna para colocar a lâmina na posição normal. Consulte a ilustração L.

# TM-U230

## Manual del usuario

### Interruptores DIP y Especificaciones

Las especificaciones técnicas y la información sobre los interruptores DIP se incluyen en las primeras páginas de este manual.

### Ilustraciones

Todas las ilustraciones se incluyen en la versión inglesa de este manual. Se han identificado por letras (A, B, C, ...). En el texto se hace referencia a las ilustraciones mediante estas letras (por ejemplo: "Vea la ilustración A."). Algunas de estas ilustraciones tienen flechas o líneas numeradas apuntando hacia las partes de la ilustración. El significado de los números se indica en la lista siguiente.

#### Ilustración A

1. tapa del cortador
2. tapa del rollo de papel
3. interruptor de la alimentación eléctrica
4. panel de control

#### Ilustración B

5. interfase
6. apertura del cajón
7. alimentación

#### Ilustración L

8. hoja de cortador
9. hoyo

Se reservan todos los derechos. Ninguna porción de esta publicación podrá reproducirse, guardarse en un sistema de recuperación de datos o transmitirse en forma o modo alguno, sea electrónico, mecánico, fotocopiado, grabado o de otra forma, sin el permiso previo y por escrito de Seiko Epson Corporation. No se asume responsabilidad de patente con respecto al uso de la información contenida aquí. Si bien se han tomado todas las precauciones en la preparación de este libro, Seiko Epson Corporation no asume ninguna responsabilidad por errores u omisiones. Tampoco asume responsabilidad alguna que surja por el uso de la información contenida aquí.

Ni Seiko Epson Corporation ni sus compañías afiliadas serán responsables ante el comprador de este producto o ante terceros por daños, pérdidas, costos, o gastos incurridos por el comprador o por terceros como resultado de: accidente, uso indebido, o abuso de este producto o de modificaciones, reparaciones o alteraciones no autorizadas de este producto, o (excluyendo a los EE.UU.) por no cumplir estrictamente con las instrucciones de operación y mantenimiento de Seiko Epson Corporation.

Seiko Epson Corporation no será responsable de cualquier daño o problema que surja por el uso de cualquier opción o producto de consumo que no esté designado como Producto Epson Original o Aprobado por Seiko Epson Corporation.

EPSON es una marca registrada de Seiko Epson Corporation en Japón y otros países/regiones.

**AVISO:** El contenido de este manual está sujeto a cambios sin previo aviso.

Copyright © 2000 Seiko Epson Corporation, Nagano, Japón.

### ADVERTENCIA

Este es un producto de Clase A. En un ambiente residencial este producto podría causar radiointerferencias, en cuyo caso el usuario podría verse en la necesidad de tomar las medidas apropiadas.

---

## Información importante sobre la seguridad

En esta sección se presenta información importante cuyo propósito es cerciorarse de un uso seguro y efectivo de este producto. Lea esta sección con cuidado y guárdela en un lugar accesible.

### Clave de los símbolos

Los símbolos en este manual se identifican de acuerdo con el nivel de su importancia, según se define enseguida. Lea lo siguiente con cuidado antes de manejar el producto.



#### **ADVERTENCIA:**

*Hay que seguir cuidadosamente las advertencias para evitar lesiones corporales serias.*



#### **PRECAUCIÓN:**

*Hay que observar las precauciones para evitar que usted sufra lesiones menores o que su equipo sufra daños.*

### Precauciones de Seguridad



#### **ADVERTENCIA:**

*Apague su equipo de inmediato si éste produce humo, un olor raro, o un ruido inusual. El seguir utilizándolo podría ocasionar un incendio. Desenchufe el equipo de inmediato y comuníquese con su distribuidor o con un servicio técnico Seiko Epson.*

*Nunca trate de reparar este producto usted mismo. Una reparación incorrecta puede ser peligrosa.*

*Nunca desmonte o modifique este producto. La manipulación de este producto puede causar lesiones o un incendio.*

*Cerciórese de usar la fuente de alimentación eléctrica especificada. La conexión a una fuente de alimentación eléctrica inadecuada puede causar un incendio.*

*No deje que materiales extraños caigan dentro del equipo, ya que podría provocar un incendio.*

*Si se derrama agua o algún otro líquido dentro del equipo, desenchufe el cable eléctrico inmediatamente, y después comuníquese con su distribuidor o con un servicio técnico Seiko Epson. El seguir usándolo podría causar un incendio.*

*No utilice aerosoles que contengan gases inflamables dentro o cerca de este producto. Si lo hace, podría provocar un incendio.*

 **PRECAUCIÓN:**

No conecte los cables en formas que difieran a las mencionadas en este manual. Conexiones diferentes podrían causar daños e incendios.

Cerciórese de poner este equipo sobre una superficie firme, estable, horizontal. El producto se puede romper o causar lesiones si se cae.

No lo use en lugares sujetos a altos niveles de humedad o de polvo. El exceso de humedad o de polvo podría causar daños o incendios al equipo.

No ponga objetos pesados encima de este producto. Nunca se apoye sobre este producto. El equipo podría caerse, causando roturas y posibles lesiones.

Por razones de seguridad, por favor desenchufe este producto antes de dejarlo sin usar por un largo periodo de tiempo.

---

## Etiquetas de Precaución

Las etiquetas de precaución de este producto indican las siguientes precauciones.

 **ADVERTENCIA:**

No conecte una línea telefónica al conector de apertura del cajón; si lo hace, se pueden dañar la impresora y la línea de teléfono.

  **PRECAUCIÓN:**

El cabezal de impresión está caliente.

 **PRECAUCIÓN:**

Tenga cuidado para no lastimarse los dedos con el cortador manual

- Al retirar papeles impresos
- Cuando realice cualquier otra operación, tal como carga/reemplazo de rollo de papel

---

## Restricción en el uso

Cuando este producto se usa en aplicaciones que requieren de alta fiabilidad/seguridad tales como los dispositivos relacionados con la aviación, los ferrocarriles, la marina, los automóviles, etc.; los dispositivos de prevención de desastres; dispositivos varios de seguridad, etc.; o los dispositivos funcionales/de precisión, etc., usted deberá tener en cuenta los posibles fallos, las redundancias de su diseño para mantener la seguridad y la fiabilidad total de su sistema. Debido a que este producto no tuvo el propósito de usarse en aplicaciones que requieren de una fiabilidad/seguridad sumamente altas tales como los equipos aeroespaciales, equipos principales de comunicación,

equipos de control en plantas nucleares, o en equipos médicos relacionados con los cuidados médicos directos, etc., por favor decida usted mismo sobre la adecuación de este producto después de una evaluación completa.

---

## **Propósito de este manual**

Este manual proporciona información a los usuarios de la impresora TM-U230 sobre las operaciones básicas para un uso adecuado y seguro de la misma.

---

## **Notas sobre la limpieza de la impresora**

Las siguientes instrucciones se refieren únicamente a las impresoras con el revestimiento especial.

Se ha utilizado un revestimiento especial en la superficie externa de la impresora, para facilitar la limpieza de manchas de cocina; sin embargo, debe tener en cuenta lo siguiente cuando limpie la superficie con el fin de preservar la calidad del revestimiento (la chapa de metal y el interior no tienen un revestimiento especial):

- ❑ No limpie la superficie con un objeto duro. Si lo hace, el cuerpo de la impresora se rayará y será más difícil de limpiar.
- ❑ No use un limpiador que incluya materiales de pulido, tales como granos de vidrio, de metal o de cerámica. Si lo hace, el cuerpo se rayará y será más difícil de limpiar.
- ❑ No use desinfectantes, blanqueadores, alcohol, benceno, o disolventes. Si lo hace, la impresora será más difícil de limpiar y podría dañarse seriamente o deformarse y cambiar de color.

---

## **Nombres de las piezas**

Vea las ilustraciones A hasta L.

---

## **Cómo descargar programas gestores, utilerías y manuales**

Los programas gestores, las utilerías y los manuales se pueden descargar en uno de los siguientes URLs.

Para los clientes en América del Norte, visiten el siguiente sitio en la Internet: <http://www.epsonexpert.com/> y siga las instrucciones que aparecen en pantalla.

Para los clientes en otros países, visiten el siguiente sitio en la Internet: <http://www.epson-pos.com/>

---

## **Desembalaje**

Los siguientes artículos se incluyen para la impresora de especificaciones estándar. Si alguno de los artículos está dañado, sírvase llamar a su distribuidor.

- ❑ Impresora
- ❑ Cartucho de cinta [ERC-38 (Negro/Rojo)]

- ❑ Rollo de papel
  - ❑ Etiqueta del panel del interruptor para la instalación horizontal
  - ❑ Adaptador de C.A. [PS-180] (\*)
  - ❑ Caja de la fuente de alimentación (estuche y tapa) (\*)
  - ❑ Tornillos más cortos para sujetar la tapa a la caja de la alimentación eléctrica (2) (\*)
  - ❑ Tornillos más largos para sujetar la caja de la alimentación eléctrica a la impresora (2) (\*)
  - ❑ Precauciones al usar la unidad de alimentación eléctrica PS-180 (\*)
- (\*) *Podrían no estar incluidos con la impresora.*

---

## ***Selección del lugar de emplazamiento***

Con sus tres posiciones de instalación, la impresora está diseñada para ponerla en cualquier cocina. Usted puede instalar la impresora en forma vertical (con la salida del papel al frente) ya sea en una superficie plana o colgándola en la pared (usando el colgador de pared opcional, WH-10). También puede instalarla en forma horizontal (con la salida del papel por arriba).

---

### ***Instalación vertical***

Puede instalar la impresora en forma vertical o colgarla de la pared. Ilustración C muestra la impresora instalada en forma vertical, tanto con la fuente de alimentación conectada, como sin ella.

***Nota:***

*Para colgar la impresora en la pared, consulte las instrucciones en el manual de instalación incluido con el WH-10.*

---

### ***Instalación horizontal***

Puede instalar la impresora en forma horizontal. Ilustración D muestra la impresora con la caja de la fuente de alimentación instalada.

---

## ***Notas importantes sobre la integración del adaptador de CA PS-180 en la impresora***

Cuando integre el adaptador de CA PS-180 en la caja de alimentación de la impresora, lea detenidamente la información de la etiqueta del adaptador (voltaje, advertencias/precauciones) antes de integrar el adaptador en la unidad de la impresora.

---

### ***Panel de Control***

#### ***Indicador de ALIMENTACIÓN***

Se ilumina cuando la impresora está encendida, y se apaga cuando la impresora está apagada.

#### ***Indicador de ERROR***

Apagado cuando la impresora está en línea, iluminado cuando la impresora no está en línea, y parpadeando cuando ocurre un error.



## Indicador de falta de papel (PAPER OUT)

Se ilumina cuando está a punto de acabarse el rollo de papel.

## Botón de alimentación (FEED)

Alimenta el rollo de papel.

## Instalación del rollo de papel



### **PRECAUCIÓN:**

*Cerciórese de no tocar el cortador manual. Si lo hace, podría lastimarse los dedos.*

#### **Nota:**

*Asegúrese de usar un rollo de papel que cumpla con las especificaciones.*

1. Use tijeras para recortar la punta del rollo de papel. Vea la ilustración E.
2. Abra la cubierta del rollo de papel; entonces encienda la impresora.
3. Coloque un rollo de papel; a continuación inserte ambos bordes del papel de forma recta dentro de la ranura de inserción de papel hasta que el papel se alimente de forma automática. Vea la ilustración F.

#### **Nota:**

*Fíjese la dirección en la que sale el rollo de papel. Vea la ilustración G.*

4. Cuando termine la alimentación de papel, recorte el papel alimentado con el cortador manual.
5. Cierre la tapa del rollo de papel.
6. Cuando la luz de FALTA PAPEL (PAPER OUT) parpadee, presione el botón de ALIMENTACIÓN DE PAPEL (FEED) para activar la impresora.

## Nota sobre la luz indicadora de FALTA DE PAPEL (PAPER OUT)

Cuando el papel llegue al final, o cerca del final, la luz indicadora de FALTA DE PAPEL (PAPER OUT) se encenderá. El zumbador también sonará si la impresora ha sido fijada para que el zumbador suene cuando el papel se acabe, o esté por acabarse. Si se abre la tapa para reemplazar el papel o si se presiona el botón de ALIMENTACIÓN DE PAPEL (FEED), se detiene el sonido del zumbador.

## Instalación del cartucho de cinta



### **PRECAUCIÓN:**

*Cerciórese de no tocar el cortador manual. Si lo hace, podría lastimarse los dedos.*

Use el modelo EPSON ERC-38. El uso de cualesquiera otros cartuchos de cinta que no sean los aprobados por Epson podría dañar la impresora y, además, anularía la garantía.

1. Encienda la impresora. Gire el botón del cartucho de cinta. Vea la ilustración H.
2. Abra la tapa del rollo de papel y la del cortador.

3. Levante el cortador automático, usando la lengüeta, vea la ilustración I. E inserte el nuevo cartucho, vea la ilustración J.
4. Gire de nuevo el botón 2 o 3 veces y verifique que el cartucho de cinta esté en la posición correcta.

---

## **Localización de fallos**

---

### **Luz de error encendida o parpadeando.**

---

- ❑ Verifique que las tapas del rollo de papel y del cortador estén cerradas y compruebe la luz indicadora de FALTA DE PAPEL (PAPER OUT). Reemplace el rollo de papel cuando sea necesario.
- ❑ Si el papel está atascado, retírelo siguiendo los pasos de la sección siguiente.
- ❑ Apague la impresora por unos segundos y después vuélvala a encender. Si la luz sigue parpadeando, póngase en contacto con el servicio técnico.

---

### **Atasco de papel.**

---



#### **PRECAUCIÓN:**

*El cabezal impresor está caliente.*

1. Apague la impresora, abra la tapa del rollo de papel y la del cortador; después, levante el cortador automático, usando la lengüeta. Vea la ilustración I.
2. Corte el papel por detrás de la ranura de inserción de papel y saque el rollo de papel de la impresora.
3. Saque el papel atascado tirando de él en el sentido de la alimentación del papel. Siempre tire del papel en el sentido de la alimentación de papel para evitar daños al mecanismo de la impresora.
4. Si todavía queda papel en la impresora, quite el cartucho de cinta.
5. Afloje el tornillo que fija la tapa del cabezal impresor. Gire el tornillo sólo hasta que lo pueda ladear como se muestra en ilustración K.

#### **Nota:**

*No saque el tornillo de la tapa del cabezal impresor.*

6. Levante la tapa del cabezal impresor y quite el papel atascado.
7. Vuelva a colocar la tapa del cabezal impresor y fíjela con el tornillo.
8. Vuelva a colocar el cartucho de cinta y cierre el cortador automático.

#### **Nota:**

*Instale la impresora en un lugar donde no se acumule el papel alimentado. De otra forma, podría ocurrir un atasco de papel.*

---

### **La cuchilla del cortador automático no está en su posición normal.**

---

Si puede ver la cuchilla por la hendidura del cortador automático, la cuchilla no está en la posición normal. Esto puede deberse a que el papel se atascó.

- ❑ Inserte un destornillador en el lado derecho del cortador automático, y gire el engranaje interior para mover la cuchilla a la posición normal. Vea la ilustración L.

# TM-U230

## Manuale dell'utente

### Specifiche e interruttori DIP

Le specifiche tecniche e le informazioni sugli interruttori DIP si trovano all'inizio di questo manuale.

#### Figure

Tutte le figure si trovano all'inizio di questo manuale, e sono identificate da lettere (A, B, C ...). Nel testo, le figure sono indicate con queste lettere (per esempio, "Vedere la figura A"). Alcune di queste figure hanno linee o frecce numerate che indicano parti della figura stessa. Vedere il significato dei numeri nella lista qui sotto.

#### Figura A

1. copertura della taglierina
2. copertura del rotolo della carta
3. pannello di controllo
4. interruttore dell'alimentazione

#### Figura B

5. interfaccia
6. connettore del cassetto estraibile
7. alimentazione

#### Figura L

8. lama di fresa
9. foro

Tutti i diritti riservati. Nessuna parte di questa pubblicazione può essere riprodotta, memorizzata in un sistema di reperimento, né trasmessa in qualsiasi forma o con qualsiasi mezzo (elettronico, meccanico, fotocopia, registrazione o altro) senza la preventiva autorizzazione scritta della Seiko Epson Corporation. Viene esclusa ogni responsabilità di brevetto rispetto all'uso delle informazioni contenute in questa pubblicazione. Malgrado questo manuale sia stato preparato con la massima cura, la Seiko Epson Corporation non si assume alcuna responsabilità per eventuali errori o omissioni in esso contenuti, né per eventuali danni risultanti dall'uso delle informazioni contenute in questo manuale.

Né la Seiko Epson Corporation, né alcuna delle sue affiliate, sarà ritenuta responsabile verso l'acquirente di questo prodotto, o terze parti, di eventuali danni, perdite, costi o spese sostenuti dall'acquirente o terze parti risultanti da: incidente, uso improprio o abuso di questo prodotto, o da modifiche non autorizzate, riparazioni, alterazioni a questo prodotto, oppure (esclusi gli Stati Uniti d'America) dalla totale inosservanza delle istruzioni per l'uso e la manutenzione impartite dalla Seiko Epson Corporation.

La Seiko Epson Corporation non sarà responsabile di alcun danno o problema insorto dall'uso di qualsiasi accessorio opzionale o di prodotti consumabili diversi da quelli designati dalla Seiko Epson Corporation come Prodotti originali Epson o Prodotti approvati dalla Epson.

EPSON è un marchio registrato di Seiko Epson Corporation in Giappone ed in altri paesi/regioni.

**AVVISO:** il contenuto di questo manuale è soggetto a cambiamenti senza preavviso.

Copyright © 2000 Seiko Epson Corporation, Nagano, Giappone.

#### AVVERTENZA

Questo è un prodotto di Classe A. In ambiente domestico, questo prodotto può causare interferenze radio. In tal caso, l'utente deve adottare le misure necessarie per eliminare l'interferenza.

---

## Informazioni importanti per la sicurezza

Questa sezione contiene informazioni importanti per l'uso efficiente e sicuro di questo prodotto. Leggere attentamente questa sezione e conservarla in un luogo prontamente accessibile.

### Spiegazione dei simboli

I simboli usati in questo manuale sono identificati in base al loro grado di importanza, come definito qui sotto. Prima di maneggiare il prodotto, leggere attentamente questa sezione.



#### **AVVERTENZA:**

*Seguire attentamente le note di avvertenza per evitare gravi infortuni alla persona.*



#### **ATTENZIONE:**

*Osservare le note di attenzione per evitare infortuni non gravi alla propria persona o danni all'unità.*

### Precauzioni di sicurezza



#### **AVVERTENZA:**

*Spegnere immediatamente l'unità se produce fumo, un odore strano o un rumore inconsueto. L'uso continuato potrebbe costituire causa d'incendio. Staccare immediatamente la spina dell'unità e rivolgersi al rivenditore o alla Seiko Epson per assistenza in merito.*

*Non riparare mai da soli questa unità. La riparazione impropria potrebbe creare un pericolo.*

*Non smontare né modificare mai questo prodotto. La manomissione del prodotto potrebbe causare lesioni personali, incendio.*

*Accertarsi di usare la fonte di alimentazione specificata. Il collegamento del prodotto ad una fonte di alimentazione impropria potrebbe causare incendio.*

*Evitare che nell'unità entrino corpi estranei. Questi potrebbero causare incendio.*

*Se acqua o altri liquidi cadono accidentalmente nell'unità, staccare immediatamente il cavo di alimentazione, quindi rivolgersi per consigli al rivenditore o al centro di assistenza della Seiko Epson. L'uso continuato dell'unità potrebbe causare incendio.*

*Per evitare il pericolo d'incendio, non usare spruzzatori aerosol contenenti gas infiammabili, all'interno del prodotto o vicino ad esso.*

** ATTENZIONE:**

*Non collegare i cavi in alcun modo diverso da quello indicato in questo manuale. Collegamenti non corretti possono causare danni all'unità e ustioni personali.*

*Posare questa unità su una superficie piana, solida e stabile. Se cade, questa unità può rompersi o causare lesioni personali.*

*Non usare questa unità in ambienti soggetti ad un elevato tasso di umidità o polvere. L'umidità o la polvere eccessiva può causare danni all'unità o incendio.*

*Non mettere oggetti pesanti sopra questa unità. Non porsi sopra questa unità né appoggiarsi. L'unità potrebbe cadere e rompersi o causare lesioni personali.*

*Per motivi di sicurezza, staccare sempre la spina dell'unità prima di lasciarla incustodita per un lungo periodo di tempo.*

**Etichette di attenzione**

Le etichette di avvertimento presenti sul prodotto indicano le seguenti precauzioni.

** AVVERTENZA:**

*Non collegare una linea telefonica al connettore del cassetto estraibile; la stampante e la linea telefonica possono danneggiarsi.*

**  ATTENZIONE:**

*La testina di stampa è molto calda.*

** ATTENZIONE:**

*Prestate attenzione a non ferirvi le dita sulla taglierina manuale*

- *Quando rimuovete la carta stampata*
- *Quando eseguite operazioni come carico/sostituzione del rotolo di carta*

**Limitazioni d'impiego**

Quando questo prodotto viene impiegato in applicazioni che richiedono un alto grado di affidabilità e sicurezza, come dispositivi relativi a trasporti aerei, per treno, via mare, con motoveicoli, ecc., dispositivi per la prevenzione di disastri, dispositivi di sicurezza vari ecc. o dispositivi di precisione/funzionali, lo si dovrebbe usare solo dopo avere preso in considerazione l'inclusione nel progetto di elementi di ridondanza e resistenza ai guasti aventi lo scopo di mantenere la sicurezza e l'affidabilità dell'intero sistema. Poiché questo prodotto è stato progettato per essere usato in applicazioni che richiedono un altissimo grado di affidabilità e sicurezza, come in apparecchiature aerospaziali, reti di comunicazione, controllo di impianti nucleari o apparecchi

per l'assistenza medica usati in cura diretta dei pazienti, ecc., si dovrà usare il proprio discernimento nel valutare a fondo il prodotto e garantire che sia adatto all'uso.

---

## **Scopo di questo manuale**

Questo manuale, destinato agli operatori della stampante TM-U230, descrive le operazioni essenziali per l'uso corretto e sicuro della stampante.

---

## **Indicazioni per la pulizia della stampante**

Le istruzioni seguenti si applicano solo alle stampanti ricoperte di un sottile rivestimento.

La superficie esterna della carrozzeria della stampante è ricoperta di un sottile rivestimento che rende più facile la rimozione dello sporco; tuttavia, in sede di pulizia della stampante, tenere a mente quanto segue per non danneggiare il rivestimento esterno (la piastra metallica e l'interno della carrozzeria non hanno detto rivestimento):

- ❑ Non strofinare la superficie con un oggetto duro, altrimenti la carrozzeria si graffia e la sua pulizia sarà più difficile.
- ❑ Non usare un detergente contenente materiale abrasivo, quale granelli di vetro, metallo o ceramica, altrimenti la carrozzeria si graffia e la sua pulizia sarà più difficile.
- ❑ Non usare disinfettanti, candeggina, alcol, benzina, solvente, solvente al cloro o al chetone, altrimenti la pulizia della carrozzeria sarà più difficile, oltre al pericolo di danneggiarla seriamente, o addirittura deformarla, e di cambiarne il colore.

---

## **Nomi delle parti**

Vedere le illustrazioni da A - L.

---

## **Download dei driver, dei programmi di utility e dei manuali**

I driver, i programmi di utility e i manuali possono essere scaricati dai siti ai seguenti indirizzi URL.

Per clienti in Nord America, andare al seguente sito Web:

<http://www.epsonexpert.com/> e seguire le istruzioni fornite sullo schermo.

Per clienti in altri Paesi, andare al seguente sito Web:

<http://www.epson-pos.com/>

---

## **Disimballaggio**

La configurazione standard della stampante comprende i seguenti articoli. Se un articolo è danneggiato o mancante, rivolgersi al rivenditore:

- ❑ Stampante
- ❑ Cassetta del nastro [ERC-38 (N/R)]
- ❑ Rotolo della carta
- ❑ Etichetta spostabile del pannello per l'installazione orizzontale
- ❑ Adattatore CA [PS-180](\*)

- ❑ Scatola dell'alimentatore (cassa e coperchio) (\*)
  - ❑ Le viti più corte servono per fissare il coperchio sulla scatola dell'alimentatore (2) (\*)
  - ❑ Le viti più lunghe servono per fissare la scatola dell'alimentatore sulla stampante (2) (\*)
  - ❑ Precauzioni per l'uso dell'alimentatore PS-180 (\*)
- (\*) *Possono non essere inclusi con la stampante.*

---

## **Scelta della posizione d'installazione della stampante**

Grazie alle tre posizioni disponibili per l'installazione, la stampante può essere installata ovunque in cucina. La stampante può essere installata verticalmente (con la carta che esce di fronte) su una superficie piatta oppure può essere appesa alla parete (usando il kit della staffa di sostegno opzionale, WH-10). La stampante può essere installata anche orizzontalmente (con la carta che esce dall'alto).

---

### **Installazione verticale**

La stampante può essere installata verticalmente oppure appesa ad una parete. Nella figura C viene mostrata la stampante con installazione verticale, con e senza la scatola dell'alimentatore collegata.

**Nota:**

*Per appendere la stampante alla parete, vedere il Manuale per l'installazione della staffa apposita (WH-10).*

---

### **Installazione orizzontale**

La stampante può essere installata orizzontalmente. La figura qui sotto mostra la stampante installata verticalmente, con montata la scatola dell'alimentatore. Vedere la figura D.

---

## **Note importanti sull'inserimento dell'adattatore CA PS-180 nella stampante**

Assicurarsi di leggere attentamente e comprendere a fondo le informazioni riportate sull'etichetta dell'adattatore CA (tensione nominale, avvertenze e precauzioni) prima di inserire l'adattatore CA PS-180 nella scatola dell'alimentatore dell'unità stampante.

---

## **Pannello di controllo**

### **LED POWER**

Si accende quando l'alimentazione è attivata e si spegne quando l'alimentazione è disattivata.

### **LED ERROR**

Spento quando la stampante è in linea, si accende quando la stampante non è in linea, lampeggia quando si verifica un errore.

### **LED PAPER OUT**

Si accende quando la carta sta per finire.

## **Pulsante FEED**

Alimenta la carta nella stampante.

---

### **Installazione del rotolo della carta**

#### **ATTENZIONE:**

*Per evitare infortuni alle dita, non toccare la taglierina manuale.*

#### **Nota:**

*Verificare che il rotolo della carta soddisfi le specifiche.*

1. Usando le forbici, tagliare il bordo di entrata del rotolo della carta. Vedere la figura E.
2. Aprire la copertura del rotolo della carta, quindi accendere la stampante.
3. Inserire un rotolo della carta, quindi, tenere la carta per entrambi i bordi, inserirla diritta nella fessura di inserimento della carta fino quando la carta viene alimentata automaticamente. Vedere la figura F.

#### **Nota:**

*Notare la direzione di uscita della carta dal rotolo. Vedere la figura G.*

4. Quando l'alimentazione della carta è terminata, tagliare la carta alimentata con la taglierina manuale.
5. Chiudere la copertura del rotolo della carta.
6. Quando la spia luminosa PAPER OUT lampeggia, premere il pulsante FEED per mettere in linea la stampante.

---

### **Nota sulla spia luminosa PAPER OUT**

Quando la carta è finita o sta per finire, la spia luminosa PAPER OUT si accende. Suonerà anche un cicalino se la stampante è stata impostata in modo che il cicalino suoni quando la carta è finita o sta per finire. Il cicalino cessa di suonare aprendo il pannello per cambiare il rotolo della carta oppure premendo il pulsante FEED.

---

### **Installazione del nastro**

#### **ATTENZIONE:**

*Per evitare infortuni alle dita, non toccare la taglierina manuale.*

Usare l'articolo EPSON ERC-38. L'uso di cassette del nastro diverse da quelle approvate dalla Epson può danneggiare la stampante e annullare la garanzia.

1. Accendere la stampante. Ruotare il pomello sulla cassetta del nastro. Vedere la figura H.
2. Aprire la copertura del rotolo della carta e quella della taglierina.
3. Prendendola per la linguetta, sollevare la taglierina automatica, vedere la figura I. Quindi inserire il nuovo nastro, vedere la figura J.
4. Ruotare il pomello di nuovo per 2-3 volte e controllare se la cassetta del nastro è nella corretta posizione.



---

## Risoluzione dei problemi

---

### La spia luminosa di un errore è accesa o lampeggia.

---

- ❑ Controllare che la copertura del rotolo della carta e quella della taglierina siano chiuse e controllare la spia luminosa PAPER OUT. Sostituire la carta secondo necessità.
- ❑ Se la carta è inceppata, rimuoverla seguendo le apposite istruzioni sotto indicate.
- ❑ Spegnere la stampante per alcuni secondi, quindi riaccenderla. Se la spia luminosa continua a lampeggiare, rivolgersi al proprio superiore o ad un tecnico della manutenzione.

---

### Carta inceppata.

---



#### **ATTENZIONE:**

*La testina di stampa è molto calda.*

1. Spegnere la stampante, aprire la copertura del rotolo della carta e quella della taglierina; quindi, prendendola per la linguetta, sollevare la taglierina automatica. Vedere la figura I.
2. Tagliare la carta dietro la fessura di inserimento della carta e rimuovere il rotolo della carta dalla stampante.
3. Rimuovere la carta inceppata tirandola nella direzione di alimentazione della carta. Per evitare di danneggiare il meccanismo della stampante, tirare sempre la carta nella direzione di alimentazione della carta.
4. Se nella stampante c'è ancora della carta, rimuovere la cassetta del nastro.
5. Allentare la vite che tiene ferma la copertura della testina di stampa. Girare la vite solo fino a quando la si può inclinare. Vedere la figura K.

**Nota:**

*Non rimuovere la vite dalla copertura della testina di stampa.*

6. Sollevare la copertura della testina di stampa, quindi rimuovere la carta inceppata.
7. Rimettere a posto la copertura della testina di stampa e serrarla con la vite.
8. Rimettere a posto la cassetta del nastro e chiudere la taglierina automatica.

**Nota:**

*Per evitare inceppamenti della carta, installare la stampante in un luogo dove la carta non possa accumularsi.*

---

### La lama della taglierina automatica non è in posizione normale.

---

Se la lama risulta visibile nella fessura della taglierina automatica, significa che la lama non è in posizione normale. Ciò potrebbe causare l'inceppamento della carta.

- ❑ Inserire un cacciavite nel lato destro della taglierina automatica, e girare l'ingranaggio all'interno per spostare la lama nella sua posizione normale. Vedere la figura L.

# WEEE (Waste Electrical and Electronic Equipment) Directive

This information only applies to customers in the European Union, according to Directive 2002/96/EC OF THE EUROPEAN PARLIAMENT AND OF THE COUNCIL OF 27 January 2003 on waste electrical and electronic equipment (WEEE) and legislation transposing and implementing it into the various national legal systems.

For other countries, please contact your local government to investigate the possibility of recycling your product.



## English

The crossed out wheeled bin label that can be found on your product indicates that this product should not be disposed of via the normal household waste stream. To prevent possible harm to the environment or human health please separate this product from other waste streams to ensure that it can be recycled in an environmentally sound manner. For more details on available collection facilities please contact your local government office or the retailer where you purchased this product.

## Deutsch

Der Aufkleber mit durchgekreuzter Mülltonne an diesem Produkt weist darauf hin, dass dieses Produkt nicht im normalen Hausmüll entsorgt werden darf. Zur Vermeidung einer möglichen Beeinträchtigung der Umwelt oder der menschlichen Gesundheit und um zu gewährleisten, dass es in einer umweltverträglichen Weise recycelt wird, darf dieses Produkt nicht in den Hausmüll gegeben werden. Informationen zu Entsorgungseinrichtungen erhalten Sie bei der zuständigen Behörde oder dem Geschäft, in dem Sie dieses Produkt erworben haben.

## Français

L'étiquette apposée sur ce produit et représentant une poubelle barrée indique que le produit ne peut être mis au rebut avec les déchets domestiques normaux. Afin d'éviter d'éventuels dommages au niveau de l'environnement ou sur la santé, veuillez séparer ce produit des autres déchets de manière à garantir qu'il soit recyclé de manière sûre au niveau environnemental. Pour plus de détails sur les sites de collecte existants, veuillez contacter l'administration locale ou le détaillant auprès duquel vous avez acheté ce produit.

## Italiano

L'etichetta con il contenitore barrato applicata sull'imballaggio indica che il prodotto non deve essere smaltito tramite la procedura normale di smaltimento dei rifiuti domestici. Per evitare eventuali danni all'ambiente e alla salute umana, separare questo prodotto da altri rifiuti domestici in modo che possa essere riciclato in base alle procedure di rispetto dell'ambiente. Per maggiori dettagli sulle strutture di raccolta disponibili, contattare l'ufficio competente del proprio comune o il rivenditore del prodotto.

## Español

La etiqueta de un contenedor tachado que hallará en su producto indica que este producto no se puede tirar con la basura doméstica normal. Para impedir posibles daños medioambientales o para la salud, separe este producto de otros canales de desecho para garantizar que se recicle de una forma segura para el medio ambiente. Para más información sobre las instalaciones de recolección disponibles, diríjase a las autoridades locales o al punto de venta donde adquirió este producto.

## Português

A etiqueta com o símbolo de um contentor de lixo traçado com uma cruz que aparece no produto indica que este produto não deve ser deixado fora juntamente com o lixo doméstico. Para evitar possíveis danos ao ambiente ou na saúde pública, por favor separe este produto de outros lixos; desta forma, terá a certeza de que pode ser reciclado através de métodos não prejudiciais ao ambiente. Para obter mais informações sobre os locais de recolha de lixo disponíveis, contacte a sua junta de freguesia, câmara municipal ou local onde comprou este produto.

## Nederlands

Op uw product is een label van een rolcontainer met een kruis erdoor aangebracht. Dit label wil zeggen dat dit product niet bij het normale huishoudelijk afval mag worden ingezameld. Om eventuele schade aan het milieu of de gezondheid van de mens te voorkomen moet dit product gescheiden van al het ander afval worden ingezameld, zodat het op een verantwoorde wijze kan worden verwerkt. Voor meer informatie over uw lokale afvalinzameling wendt u zich tot uw gemeente of de leverancier bij wie u dit product hebt gekocht.

## Dansk

Etiketten med et kryds over skraldespanden på hjul, der sidder på produktet, angiver, at dette produkt ikke må bortskaffes sammen med almindeligt husholdningsaffald. For at beskytte miljøet og helbred skal dette produkt bortskaffes separat, så det kan genbruges på en måde, der er god for miljøet. Kontakt de lokale myndigheder eller den forhandler, hos hvem du har købt produktet, vedrørende steder, hvor du kan aflevere produktet.

## Suomi

Laite on merkitty jäteastia-symbolilla, jonka yli on vedetty rasti. Tämä tarkoittaa, ettei laitetta saa hävittää normaalin talousjätteen mukana. Älä hävitä laitetta normaalin jätteen seassa vaan varmista, että laite kierrätetään ympäristöystävällisellä tavalla. Jottei ympäristölle tai ihmisille aiheudu vahinkoa. Lisätietoja kierrätyksestä ja keräyspisteistä saa ottamalla yhteyttä paikallisiin viranomaisiin tai jälleenmyyjään, jolta laite ostettiin.

## Svenska

Symbolen med en överkorsad soptunna innebär att denna produkt inte får kastas i vanligt hushållsavfall. För att skydda miljön ska denna produkt inte kastas tillsammans med vanligt hushållsavfall utan lämnas för återvinning på tillbörligt sätt. För mer information om uppsamlingsplatser kontakta din lokala myndighet eller den återförsäljare där du har köpt produkten.

## Norsk

Det er kryssset over merket av beholderen på hjul som vises på produktet, som angir at dette produktet ikke skal kastes sammen med vanlig husholdningsavfall. Hold dette produktet atskilt fra annet avfall slik at det kan resirkuleres på en miljømessig forsvarlig måte og dermed forhindre eventuell skade på miljøet eller helse. Hvis du vil ha mer informasjon om hvor produktet kan leveres inn, kontakter du kommunale myndigheter eller forhandleren der du kjøpte dette produktet.

---

## Česky

Štítek s přeškrtnutým odpadkovým košem na kolečkách, který lze nalézt na výrobku, označuje, že tento produkt se nemá likvidovat s běžným domovním odpadem. V zájmu ochrany životního prostředí a lidského zdraví zlikvidujte tento výrobek jako tříděný odpad, který se recykluje způsobem šetrným k životnímu prostředí. Podrobnější informace o sběrných dvorech pro tříděný odpad získáte na obecním úřadě nebo u prodejce, u kterého jste příslušný výrobek zakoupili.

---

## Magyar

A termékem található, áthúzott szemetest ábrázoló címke azt jelzi, hogy ezt a terméket nem szabad a rendes háztartási szeméttel együtt kidobni. Az esetleges környezeti- vagy egészségkárosodást megelőzendő, kérjük, hogy ezt a terméket a többi szeméttől elkülönítve helyezze el, és biztosítsa, hogy azt környezetbarát módon újrahasznosítsák. A rendelésére álló begyűjtő létesítményekről kérjük tájékozódjon a megfelelő helyi állami szerveknél vagy a vizszonteladónál, ahol a terméket vásárolta.

---

## Polski

Symbol przekreślonego kosza znajdujący się na produkcji oznacza, że nie może on być utylizowany razem z normalnymi odpadami z gospodarstwa domowego. Aby zapobiec potencjalnemu zagrożeniu dla środowiska lub zdrowia ludzkiego, produkt ten należy odepierać lub do reszty odpadów z gospodarstwa domowego i utylizować w ekologicznie właściwy sposób. Szczegółowe informacje na temat punktów zbiórki odpadów można uzyskać w lokalnych urzędach lub u sprzedawcy danego produktu.

---

## Slovensky

Štítko s přeškrtnutým odpadkovým košom na kolieskach, ktorý je možné nájsť na výrobku, označuje, že tento produkt sa nemá likvidovať s bežným komunálnym odpadom. V záujme ochrany životného prostredia a ľudského zdravia zlikvidujte tento výrobok ako triedený odpad, ktorý sa recykluje spôsobom šetrným k životnému prostrediu. Podrobnejšie informácie o zberných dvoroch pre triedený odpad získate na obecnom úrade alebo u predajcu, u ktorého ste príslušný výrobok zakúpili.

---

## Slovenski

Prečrtni koš za smeti na etiketi, katero lahko najdete na vašem izdelku, pomeni, da tega izdelka ne smete odvreči podobno kot vse ostale smeti. Da bi preprečili morebitne škodljive vplive na okolje ali zdravje, ločite izdelke od vseh ostalih in poskrbite, da bo recikliran na okolju prijazen način. Natančne informacije o tem, kje se nahajajo primerna odlagališča, pridobite v vašem krajevnem uradu ali pri prodajalcu.

---

## Eesti

Teie tootele kleebitud tähis, mis kujutab ratastega prügi konteinerit, millele on rist peale tõmmatud, keelab teote kõrvaldamise majapidamisjäätmetega sarnasel viisil. Keskkonnale või inimeste tervisele tekitatava võimaliku kahju vältimiseks eraldage toode teistest jäätmetest, et tagada selle korduvkasutamise keskkonnasäästlikul viisil. Kui soovite saada rohkem teavet võimalike kogumispunktide kohta, võtke ühendust kohaliku omavalituse ametnikuga või teile toote müündud jaemüüjaga.

---

---

## Lietuviškai

Užbraukta ratuota šiukšliadėžės etiketė, kurią rasite ant jūsų produkto, reiškia, kad šis produktas neturėtų būti išmestas kartu su įprastinėmis buitinėmis šiukšlėmis. Siekiant išvengti galimos žalos aplinkai bei žmonių sveikatai, prašome atskirti šį produktą nuo kitų atliekų, ir įsitikinti, kad jis būtų perdirbtas aplinkai nepavojingu būdu. Jei reikia išsamesnės informacijos apie atliekų surinkimo ypatumus, prašome kreiptis į savo vietos valdžios įstaigas arba į mažmeninį pardavėją, iš kurio jūs įsigijote šį produktą.

---

## Latviski

Marķējums ar pārsvītrotu atkritumu tvertni uz rītenīšiem, kas redzams uz izstrādājuma, norāda, ka šo izstrādājumu nedrīkst likvidēt kopā ar parastajiem sadzīves atkritumiem. Lai novērstu iespējamo kaitējumu videi vai cilvēku veselībai, lūdzam, atdaliet šo izstrādājumu no citiem atkritumiem, tādējādi nodrošinot tā otrreizējo pārstrādi videi drošā veidā. Papildinformācijai par pieejamajām atkritumu savākšanas iespējām, lūdzam, sazinieties ar vietējo pašvaldību vai mazumtirgotāju, no kura jūs iegādājāties šo izstrādājumu.

---

## Ελληνικά

Η διαγραμμένη ετικέτα του τροχοφόρου κάδου απορριμμάτων που θα βρείτε πάνω στο προϊόν σας υποδεικνύει ότι αυτό το προϊόν δεν πρέπει να απορρίπτεται μέσω του κανονικού δικτύου αποκομιδής οικιακών απορριμμάτων. Για να αποτρέψετε πιθανές επιπτώσεις στο περιβάλλον ή την ατομική υγεία, παρακαλούμε να διαχωρίσετε αυτό το προϊόν από άλλα δίκτυα αποκομιδής ώστε να διασφαλίσετε ότι είναι δυνατή η ανακύκλωσή του με έναν περιβαλλοντικά θεμιτό τρόπο. Για περισσότερες πληροφορίες σχετικά με τις διαθέσιμες δυνατότητες συλλογής απορριμμάτων, παρακαλούμε να επικοινωνήσετε με την τοπική κυβερνητική αρχή ή το κατάστημα λιανικής από όπου αγοράσατε αυτό το προϊόν.

---

## Türkçe

Ürününüzün üzerinde bulunan çarpi işaretli terkerekli kutu etiketi, bu ürünün normal ev atık sistemi vasıtasıyla elden çıkarılmaması gerektiğini gösterir. Çevreye ve insan sağlığına zarar vermeyecek şekilde geri dönüşüme tabi tutulmak üzere diğer atıklarından ayırın. Mecut toplama tesisleri ile ilgili ayrıntılı bilgi edinmek için, yerel devlet makamlarınız veya bu ürünü satın aldığınız satıcınızla irtibata geçin.

---

## Română

Eticheta arătând un coș de gunoi tăiat cu două linii încreșcate, care poate fi găsită pe produs, indică faptul că acesta nu trebuie aruncat la gunoi laolaltă cu gunoii menajer. Pentru a evita posibila degradare a mediului înconjurător sau a sănătății umane, colectați separat acest produs de gunoii menajer pentru a vă asigura că poate fi reciclat într-un mod ecologic. Pentru mai multe detalii privind punctele disponibile de colectare, contactați autoritățile locale sau comerciantul de la care ați achiziționat acest produs.

---

## Български

Етикетът, представляващ зачертано кошче за боклук в кръг, който можете да видите върху вашия продукт, означава, че този продукт не трябва да се изхвърля заедно с обикновените домакински отпадъци. За предпазване от евентуални щети върху околната среда или човешкото здраве, моля, отделете този продукт от останалите отпадъци, за да се гарантира, че той ще бъде рециклиран по екологично съобразен начин. За повече информация относно наличните места за събиране на отпадъци, моля, свържете се с местните власти или търговеца, от когото сте закупили този продукт.

---

Printed in China